



**ECO  
LIGHT**  
INDUSTRIAL LED

**LED  
INDUSTRIAL  
FLOOD  
LIGHTS**

**LEDFL18-140AC**

## 140W LED INDUSTRIAL FLOOD LIGHTS

The LEDFL18 is a high quality professional looking light suitable for both indoor and outdoor applications and is a perfect replacement for traditional 400W Metal Halide flood lights. The slim profile is excellent for locations where roof heights are at a minimum, and traditional high bays will not fit, also popular as security and yard lighting outside large commercial and industrial buildings.

Packing in all the features of LED including instant start-up, cool running temperature, a generous heat sink and many mounting points. A unique feature with this model is the option of 24V DC supply making it a valuable addition to a truck fleet or farm machinery.



### FEATURES

LED Sources	140W
Input Voltage	AC (85~265V, 50~60Hz) DC (24V)
Power Supply Efficiency	>90%
Power Factor	>0.9
LED Lighting Efficiency	100lm/W
Luminaire Efficiency	>90%
Colour Rendering Index	Ra>80
Colour Temperature	Cool White 5700K Warm White 2700K
IP Rating	IP65
Life Span	>50,000hrs
Eco-friendly	No UV, Ir, Lead or Mercury
Materials	LM06 equicalent Aluminium, 316 Stainless Steel fasteners, High density 5mm toughened glass
Bracket	Galvanised Steel
Weight	10.6kg
Effective Light Angle	107°
Dimensions	568x285x93mm

### OPTIONS (available on request)

- Dimmable (0-10V) control, at max dim only draws 40W from supply
- 316 Stainless Steel mounting bracket
- Polycarbonate lens, no glass at all
- Horizontal mounting bracket
- Low Bay mounting bracket

CAT NO.	Lumens	Power	Supply Voltage	Current
LEDFL18-140AC	11,700	140W	85~265V	0.68A*
LEDFL18-140ACWW	11,700	140W	85~265V	0.68A*
LEDFL18-140PC	11,700	140W	85~265V	0.68A*
LEDFL18-140DC24	11,700	140W	24V DC	6.72A*

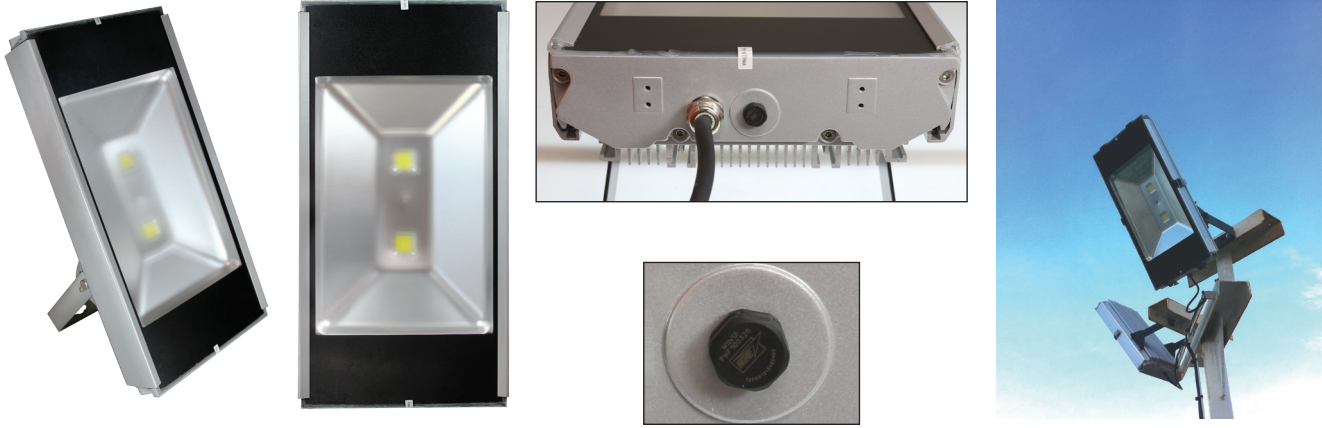
\* AC Current rating at 230V AC; DC Current at 24V DC

SDOC is available on our website

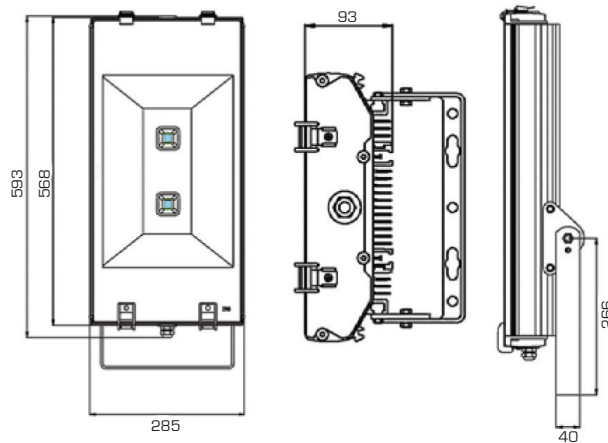
20 Neilpark Drive  
East Tamaki  
Auckland.  
NEW ZEALAND  
phone: 64 9 272 5619

**ECO  
LIGHT**  
www.ecolight.co.nz

**PRODUCT IMAGES**

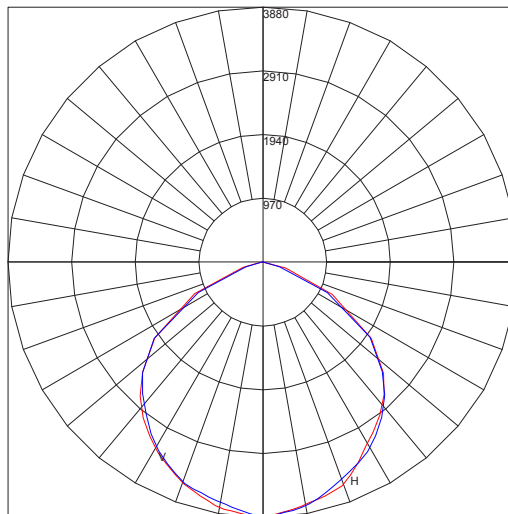


**DIMENSIONS**



**PHOTOMETRICS**

Light Distribution



Maximum Candela = 3880.23 Located At Horizontal Angle = 0, Vertical Angle = 0  
 H - Horizontal Axial Candela  
 V - Vertical Axial Candela

20 Neilpark Drive  
 East Tamaki  
 Auckland.  
 NEW ZEALAND  
**phone: 64 9 272 5619**