



**ECO
LIGHT**
INDUSTRIAL LED

**LED
INDUSTRIAL
FLOOD
LIGHT**

LEDIFL19-100AC

ROBUST INDUSTRIAL LED FLOOD LIGHTS – 100W

The LEDIFL19-100AC fitting is part of our industrial grade LED series.

This is a IP65 rated fitting that includes LM6 aluminium housing and dual layer anti-corrosion powder coat finish, it can be relied upon in the harshest of conditions.

This also comes with an anti-glare tempered glass frosted lens and has fantastic light output. This light is ideal for a number of different applications including floodlighting and high bay applications.



TECHNICAL SPECIFICATIONS

Fixture/Part No.	LEDIFL19-100AC
Total Power	100W
LED Power	90W
LED Lumens	9800lm
Fixture Lumens	8500lm
LED Lighting Efficiency	>90%
Colour Temperature	5700K
Colour Rendering (Ra)	>70
IP Rating	IP65
Life Span	50,000hrs
Eco-friendly	No UV, IR, Lead or Mercury
Operating Temperature	-40°C to 50°C
Weight	6.00kg
Beam Angle	70.2°
Size	Diameter 320mm, Height 216mm
Dimmable	Yes
Power Factor	>0.95
Input Voltage Range	86-230V AC
Power Cable	3 core, 1.5m length
Powder Coating	Anti-corrosion Black
Housing Construction	Cast Aluminium, Tempered Glass
Aluminium Properties	LM6 - Si: 13%, Cu: 0.6%, Mn: 0.6%, Fe: 1.2%, Zn: 0.3%, Al: 84.3%
Bracket	Adjustable Aluminium with Black Powder Coating

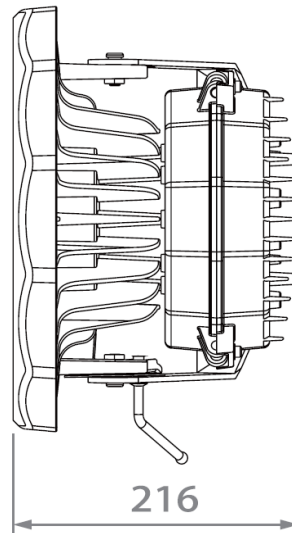
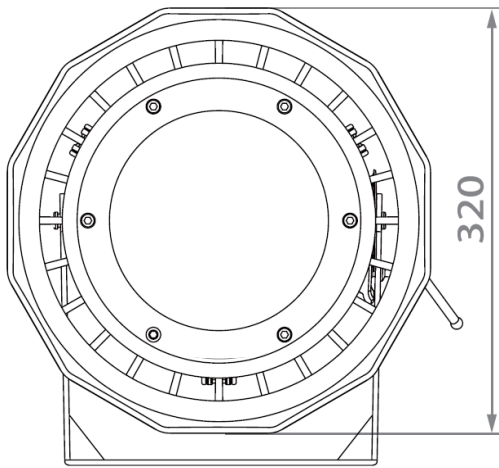


**ECO
LIGHT**
www.ecolight.co.nz

PRODUCT IMAGES

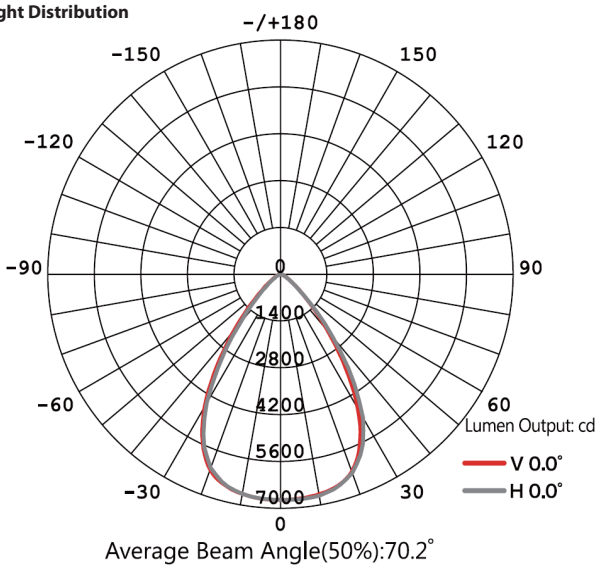


DIMENSIONS

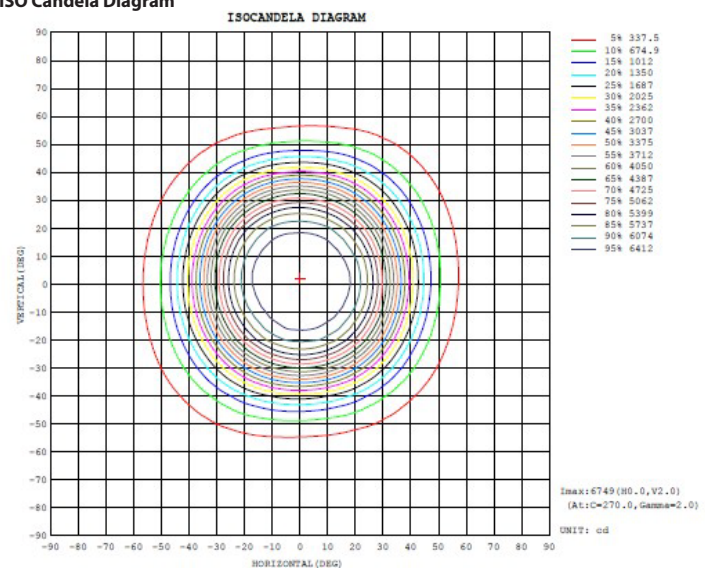


PHOTOMETRICS

Light Distribution



ISO Candela Diagram



20 Neilpark Drive
East Tamaki
Auckland.
NEW ZEALAND
phone: 64 9 272 5619