

# LED Flood Lighting

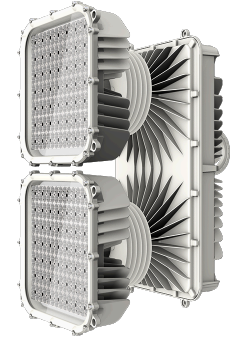
## SUFA-X Series

GigaTera®  
beyond light

SFX1K0 / SFX800 / SFX600 / SFX500 / SFX400 / SFX200

### Product Description

- Best Technology to get high efficacy and less glare optic performance
- Glare free from Narrow beam reflector
- Flicker free proven upto 1,500 fps ultra slow-motion
- High CRI & R9 Content better visibility
- Linkage with wired and wireless control system even for event light control



### Application

- Sports Stadium
- Indoor Venues
- Port

### Certification

- UL / FCC / DLC
- CE
- PSE
- KC

### SUFA-X Series Specifications



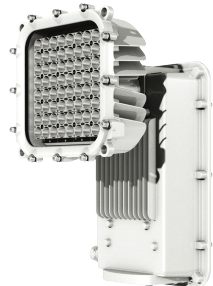
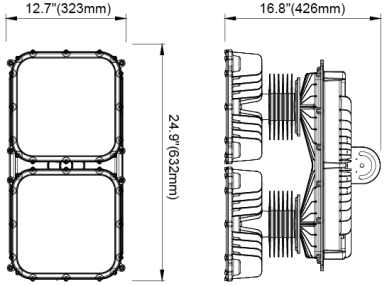
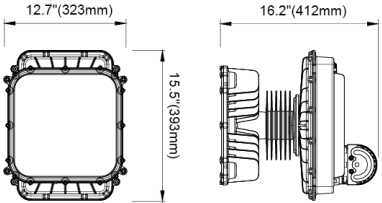
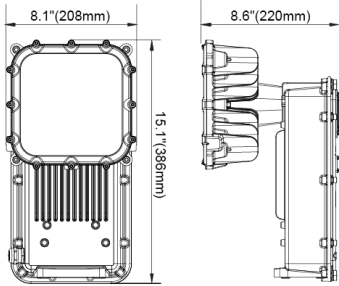
Model Name	SFX1K0	SFX800	SFX600	SFX500	SFX400	SFX200						
Power Consumption	1000W	800W	600W	500W	400W	200W						
Light Source	High Power LED Chips											
CCT	5000K (5700K / 4000K / 3000K available)											
Luminous Flux * (lm)	105,000	110,000	84,000	88,000	63,000	66,000	52,500	55,000	42,000	44,000	21,000	22,000
Luminous Efficacy * (lm/W)	105	110	105	110	105	110	105	110	105	110	105	110
CRI	80 Ra	70 Ra	80 Ra	70 Ra	80 Ra	70 Ra	80 Ra	70 Ra	80 Ra	70 Ra	80 Ra	70 Ra
LED Driving Current	769 mA		727 mA		923 mA		769 mA		727 mA		307.7 mA	
Light Distribution	45° / 30° / 15°											
Input Voltage	200 ~ 277 Vac / 347 ~ 480 Vac			200 ~ 277 Vac / 220 ~ 240 Vac / 347 ~ 480 Vac				100 ~ 277 Vac / 347 ~ 480 Vac				
Input Current	Max. 6.0A (@200 Vac)		Max. 5.0A (@200 Vac)		Max. 3.5A (@200 Vac)		Max. 3.0A (@200 Vac)		Max. 2.5A (@200 Vac)		Max. 2.5A (@100 Vac)	
	Max. 3.8A (@347 Vac)		Max. 3.2A (@347 Vac)		Max. 2.2A (@347 Vac)		Max. 1.9A (@347 Vac)		Max. 1.6A (@347 Vac)		Max. 0.75A (@347 Vac)	
Power Factor	≥0.9 at Max load											
Frequency	50 / 60 Hz											
Surge Protection	Line – Line 20kV, Line – FG 20kV											
Driver Type	Constant Current (CC)											
Fixture Manufacturer	GigaTera Inc. / Made in Korea											
Size	Inch	12.7 x 24.9 x 16.8			12.7 x 15.5 x 16.2			8.1 x 15.1 x 8.6				
	mm	323 x 632 x 426			323 x 393 x 412			208 x 386 x 220				
Weight (Driver included)	70.6 lb / 32.0 kg			36.6 lb / 16.6 kg			16.5 lb / 7.5 kg					
Material	Body	Cast Aluminum										
	Optic	Silver Coating Reflector										
	Cover	Tempered Glass 3.2T (Clear), Anti UV & Dust, Shatter Proof										
Finish	Powder Coating											
IP Rating	IP66											
Operating Temperature	-22°F ~ 131°F -30°C ~ 55°C						-22°F ~ 140°F -30°C ~ 60°C					
Option	Control	Wireless (ZigBee) / Wired (RS-485)										
	Mounting	Swivel Bracket			-							
	Cover Protection	-			Stainless steel wire mesh for glass protection							
Warranty	5 Years (12 hours usage per day)											

\* Tolerance : ± 5%

# LED Flood Lighting SUFA-X Series

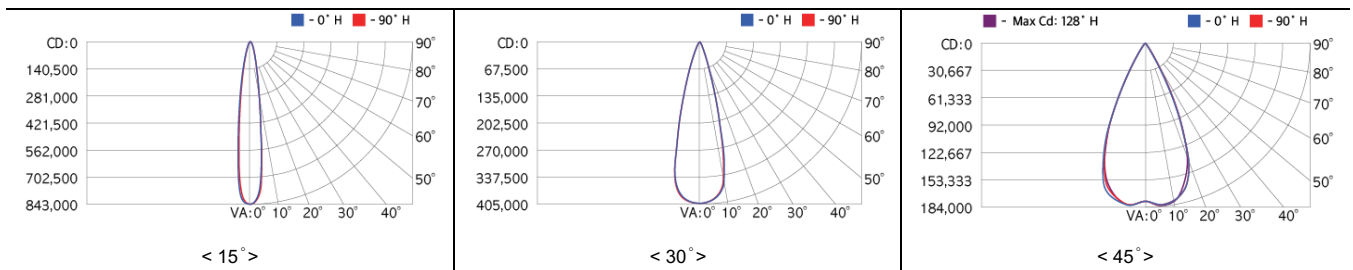
GigaTera<sup>®</sup>  
beyond light

SFX1K0 / SFX800 / SFX600 / SFX500 / SFX400 / SFX200

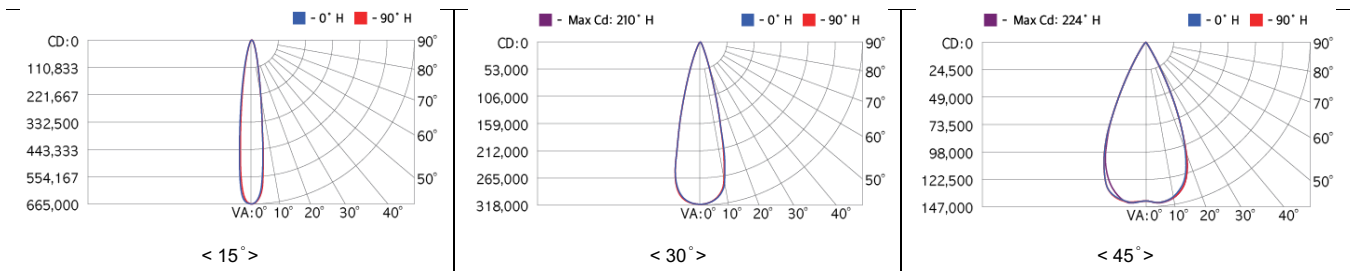
SUFA-X 1000W / 800W		SUFA-X 600W / 500W / 400W		SUFA-X 200W	
					
					
Size	12.7 x 24.9 x 16.8 (inch)	Size	12.7 x 15.5 x 16.2 (inch)	Size	8.1 x 15.1 x 8.6 (inch)
	323 x 632 x 426 (mm)		323 x 393 x 412 (mm)		208 x 386 x 220 (mm)

## Photometry Data

### SFX1K0 / 5000K / 80Ra



### SFX800 / 5000K / 80Ra

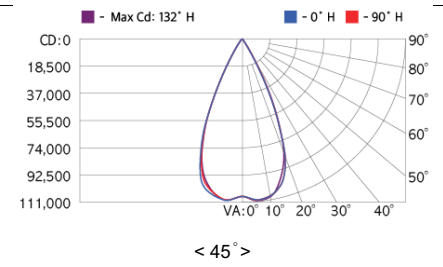
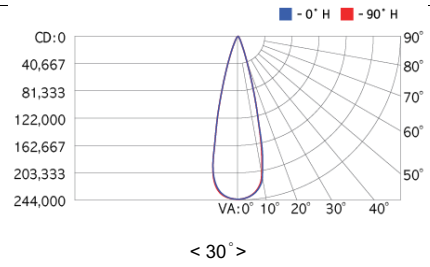
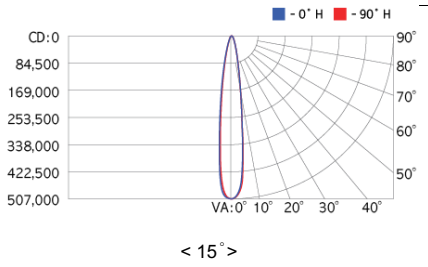


# LED Flood Lighting

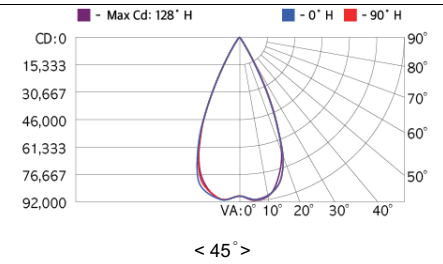
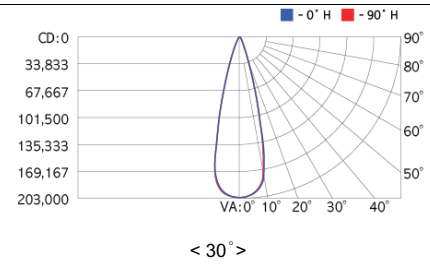
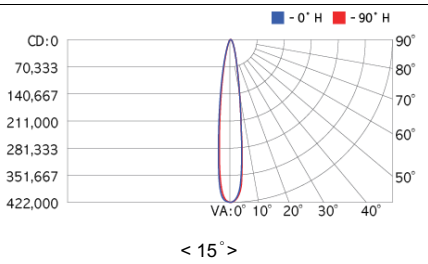
## SUFA-X Series

SFX1K0 / SFX800 / SFX600 / SFX500 / SFX400 / SFX200

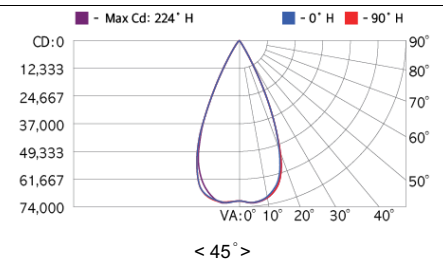
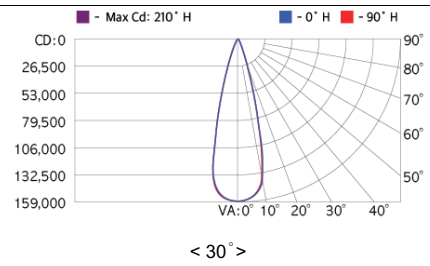
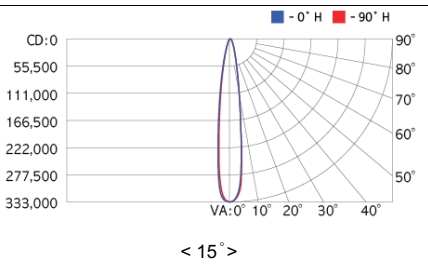
### SFX600 / 5000K / 80Ra



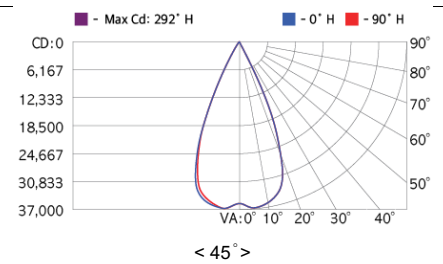
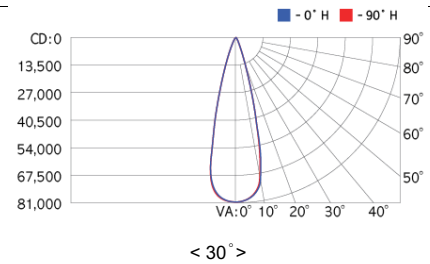
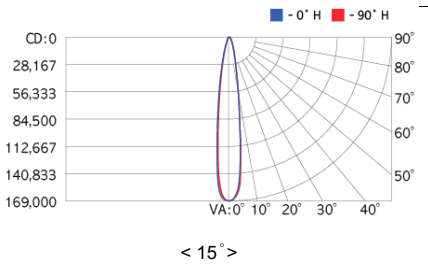
### SFX500 / 5000K / 80Ra



### SFX400 / 5000K / 80Ra



### SFX200 / 5000K / 80Ra



## Control System (Optional)

ZigBee	Wireless Control
Input Voltage	15 Vdc
Max. Power Consumption	0.3W (@15 Vdc)
Standard	2.4 GHz – IEEE 802.15.4 (Compatible)
Network	Mesh
RF Tx Power	Max. +8 dBm (Typ. 5 dBm)
Data Rate	250 kbps
Security	128 bit AES Encryption Algorithms
Dimmer	PWM
Antenna	Omni Type, 2 dBi


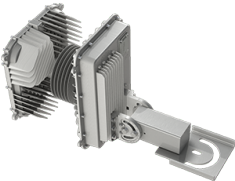

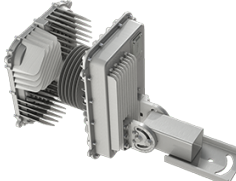

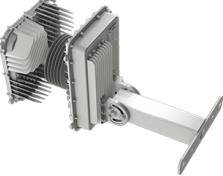
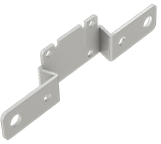
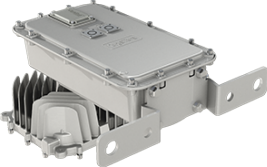

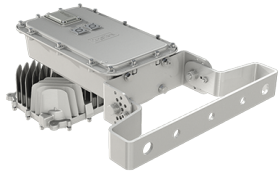



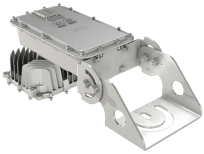
# LED Flood Lighting

## SUFA-X Series

SFX1K0 / SFX800 / SFX600 / SFX500 / SFX400 / SFX200

<b>RS-485</b>	Wired Control
<b>Input Voltage</b>	15 Vdc
<b>Max. Power Consumption</b>	0.2W (@15 Vdc)
<b>Communication Method</b>	RS-485
<b>Data Rate</b>	115200 bps, 8-N-1
<b>Dimmer Level</b>	PWM

### Mount Bracket Installation Reference (Optional)

SFX600 / SFX500 / SFX400			
<b>KETBKTLC13G1007</b>		<b>KMDLMBK010430</b>	
	<b>KETBKTLC13G1007</b> 		<b>KMDLMBK010430</b> 
<b>KETBKTLC13G1002</b>			
	<b>KETBKTLC13G1002</b> 		
SFX200			
<b>KETBKTLC13G1004</b>		<b>KETBKTLC13G1001</b>	
	<b>Swivel Bracket (Up:90° / Down: 90°)</b> 		<b>Swivel Bracket (Up:90° / Down: 90°)</b> 
<b>KETBKTLC13G1006</b>		<b>KMDLMBK010470</b>	
	<b>Tilt and Rotate Bracket</b> 		<b>Surface Mount Bracket</b> 

# LED Flood Lighting

## SUFA-X Series



SFX1K0 / SFX800 / SFX600 / SFX500 / SFX400 / SFX200

Ordering Information		Ordering Code Usage : SFX600-H500458N					
SFX	○○○	-	○	○○	○○○	○	○
	Power Consumption		Input Voltage	CCT (K)	Beam Angle	CRI	Control System
	<b>1K0</b> = 1000W <b>800</b> = 800W <b>600</b> = 600W <b>500</b> = 500W <b>400</b> = 400W <b>200</b> = 200W		<b>A</b> = 100 ~ 277V <b>C</b> = 347 ~ 480V <b>D</b> = 220 ~ 240V <b>H</b> = 200 ~ 277V	<b>57</b> = 5700K <b>50</b> = 5000K <b>40</b> = 4000K <b>30</b> = 3000K	<b>045</b> = 45° <b>030</b> = 30° <b>015</b> = 15°	<b>8</b> = 80 Ra <b>7</b> = 70 Ra	<b>Z</b> = ZigBee <b>W</b> = Wired <b>N</b> = None