

LED Area Flood Lighting

MAHA-PLUS Series



MAH1K0

Product Description

- Asymmetric beam enabling cost efficient 1 for 1 replacement for HID flood light
- Outstanding cooling technology and durability
- Excellent light distribution and minimized glare
- Smart lighting control using wireless or wired

Application

- Sporting Facilities
- Airplane Hangars
- Airport Aprons
- Parking Lots
- Harbour / Yard

Certification

- CE
- UL





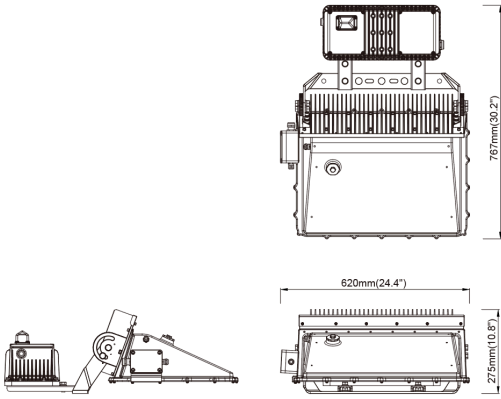
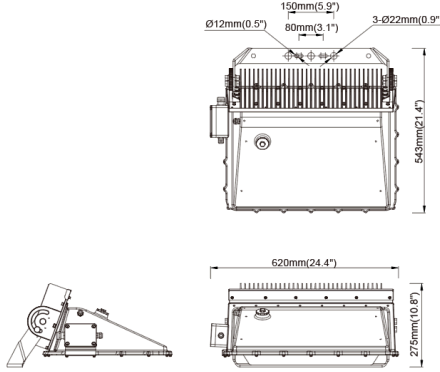
MAHA-PLUS Series Specifications

Model Name	MAH1K0	
Power Consumption	1000W	
CCT	5000K (5700K / 4000K / 3000K available)	
Luminous Flux *	140,000 lm	
Luminous Efficacy *	140 lm/W	
CRI	70 Ra (80Ra available)	
LED Driving Current	700 mA	
Light Distribution	Asymmetric Wide	
BUG Rating	B4 – U0 – G5	
Driver Type	Remote driver type / Built-in driver type	
Input Voltage	220 ~ 240 Vac / 200 ~ 277 Vac / 347 ~ 480 Vac	
Input Current	Max. 6.0A (@200 Vac) / Max. 3.4A (@347 Vac)	
Power Factor	≥0.9 at Max load	
Frequency	50 / 60 Hz	
Surge Protection	Line – Line 20kV, Line – FG 20kV	
Driver Type	Constant Current (CC)	
Fixture Manufacturer	GigaTera Lighting Inc. / Made in Korea / Made in Vietnam	
Size	Remote	620 x 543 x 275 (mm) / 24.4 x 21.4 x 10.8 (inch)
	Built-in	620 x 767 x 275 (mm) / 24.4 x 30.2 x 10.8 (inch)
Weight	Remote	15.2 kg / 33.5 lb
	Built-in	28.2 kg / 62.2 lb
Material	Body	Cast Aluminum
	Optic	AL Coating Reflector
	Cover	Tempered Glass 4.0T (Clear)
Wind Load	Front (m²) : 0.15549 / Side (m²) : 0.0674 (LED module only), 0.0987 (with Remote driver)	
IP Rating	IP66	
IK Rating	IK 08	
Operating Temperature	-22°F ~ 131°F / -30°C ~ 55°C	
Option	Control	Wireless (ZigBee) / Wired (RS-485, DMX-512, DALI) / NEMA-7
	Mounting	Swivel Bracket, Pole Mount Bracket
Operation Lifetime	> 80,000 hours (L80B10) at Ta 25°C, > 60,000 hours (L80B10) at Ta 40°C	
Warranty	5 Years (12 hours usage per day)	
Finish	Powder Painting (Gray color, RAL 7038)	




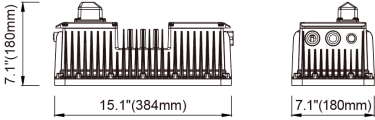
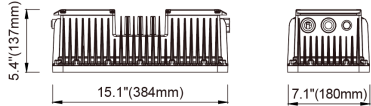
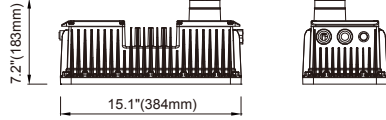
* Tolerance : ± 10%

Copyright © 2021 GigaTera Lighting Inc. All rights reserved. / www.gigateralighting.com
 The information in this document is subject to change without notice. / Document Revision V2.42 / 2021.05.11
 GigaTera Lighting Inc. Address : 3, Dongtansandan 6-gil, Hwaseong-si, Gyeonggi-do, South Korea
 Tel : +82.31.370.8800 / E-Mail : ledsales@gigateraled.com

Dimension - MAH1K0

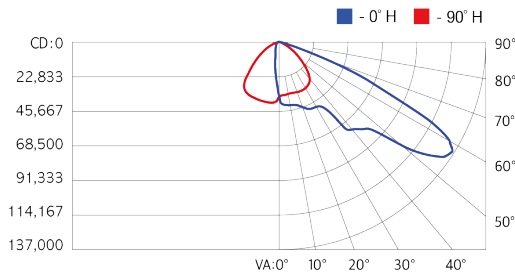
Built-in Driver type		Remote Driver type	
			
			
Size	620 x 767 x 275 (mm) 24.4 x 30.2 x 10.8 (inch)	Size	620 x 543 x 275 (mm) 24.4 x 21.4 x 10.8 (inch)

Remote Driver Dimension

BLU (Wireless)		BLU (Wired)		BLU (NEMA)	
					
					
Size	384.0 x 180.0 x 180.0 (mm) 15.1 x 7.1 x 7.1 (inch)	Size	384.0 x 180.0 x 137.0 (mm) 15.1 x 7.1 x 5.4 (inch)	Size	384.0 x 180.0 x 183.0 (mm) 15.1 x 7.1 x 7.2 (inch)
Weight	10.0 kg / 22.0 lb	Weight	10.0 kg / 22.0 lb	Weight	10.0 kg / 22.0 lb

Photometry Data

MAH1K0 / 5000K / 70Ra



Control System (Optional)

Wireless Control	ZigBee
Input Voltage	15 Vdc
Max. Power Consumption	0.3W (@15 Vdc)
Standard	2.4 GHz – IEEE 802.15.4 (Compatible)
Network	Mesh
RF Tx Power	Max. +8 dBm (Typ. 5 dBm)
Data Rate	250 kbps
Security	128 bit AES Encryption Algorithms
Antenna	Omni Type, 2 dBi

Wired Control	RS-485	DMX-512	DALI
Input Voltage	15 Vdc		
Max. Power Consumption	0.2W (@15 Vdc)		
Communication Method	RS-485	DMX-512	Dali 1
Data Rate	115,200 bps, 8-N-1	250,000 bps, 8-N-2	1200 Baud


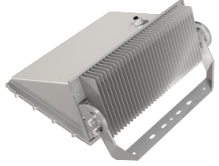



NEMA-7

Mechanical	7 Position : 3 Power Contacts + 4 dimming/Signal Contacts
Electrical	Power Contacts. 15A, Max.480Vac/dc
	Dimming Contacts. 0.10A, Max.10Vac/dc
Model Name	TE, 2213362-4(ANSI C136.41-2013 Dimming Receptacle)
	te.com






Mount Bracket Installation Reference (Optional)

MAH1K0 (Remote driver type)

KMDLMBK010060





	Ground Mounting (Basic)	Ground Mounting (Reverse)	Horizontal Mounting (Basic)	Horizontal Mounting (Reverse)
	 Upward 165° / Downward 15°	 Upward 55° / Downward 125°	 Upward 75° / Downward 105°	 Upward 145° / Downward 35°

KMDLMBK010230

	Ground Mounting (Basic)	Ground Mounting (Reverse)	Horizontal Mounting (Basic)	Horizontal Mounting (Reverse)
	 Upward 165° / Downward 15°	 Upward 55° / Downward 125°	 Upward 75° / Downward 105°	 Upward 145° / Downward 35°

KETBK TLC1ZNN001

KMDLMBK010020


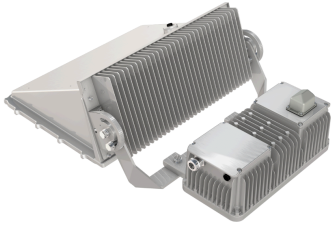
	KMDLMBK010060 + KETBK TLC1ZNN001			KMDLMBK010060 + KMDLMBK010020	
					

MAH1K0 (Built-in driver type)

KETBK TLC3BG1015

KETBK TLC3BG1014

KETBK TLC3BG1015 + KETBK TLC3BG1014 + BLU

			
	KETBK TLC3BG1015 + KETBK TLC3BG1014 		

LED Area Flood Lighting

MAHA-PLUS Series



MAH1K0

Ordering Information (MAHA-PLUS Series)				Ordering Code Usage : MAH1K0-V50G1	
MAH	000	-	O	OO	O
	Power Consumption		Input Voltage	CCT (K)	Fixture Color
	1K0 = 1000W		V = DC 100V (Remote Driver Type)	57 = 5700K 50 = 5000K 40 = 4000K 30 = 3000K	G1 = Gray Powder
	X = DC200V (Built-in Driver Type)				

Ordering Information (Driver)			Ordering Code Usage : BLU1K0-HXW		
BLU	000	-	O	O	O
	Power Consumption		Input Voltage	Output Voltage	Control System
	1K0 = 1000W		K = AC200 ~ 240V H = AC200 ~ 277V C = AC347 ~ 480V	X = DC 200V	W = Wired (RS-485) M = Wired (DMX-512) D = Wired (DALI) Z = Wireless (Zigbee) N = NEMA-7

Copyright © 2021 GigaTera Lighting Inc. All rights reserved. / www.gigateralighting.com
 The information in this document is subject to change without notice. / Document Revision V2.42 / 2021.05.11
 GigaTera Lighting Inc. Address : 3, Dongtansandan 6-gil, Hwaseong-si, Gyeonggi-do, South Korea
 Tel : +82.31.370.8800 / E-Mail : ledsales@gigateraled.com