

# LED Sports & Area Flood Lighting

## MAHA-PLUS Series

**GigaTera**<sup>®</sup>  
beyond light

MAH1K2

### Product Description

- Outstanding asymmetric hybrid optics, full cut-off, glare-free, minimum light pollution
- High efficacy up to 150lm/W, maximum energy saving, excellent cooling technology and durability
- 20kV built-in surge protector, solid design appearance, corrosion-free powder coating

### Application

- Sports facilities
- Airport Hangar
- Harbor / Yard
- Parking Lots

### Certification

- CE / CB
- ENEC
- UL
- KC



### MAHA-PLUS Series Specification



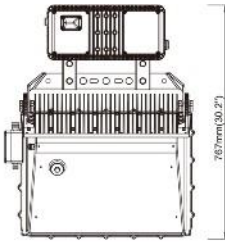
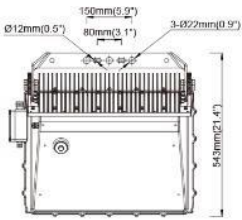
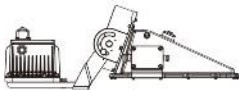

<b>Model Name</b>	<b>MAH1K2</b>							
<b>Power Consumption</b>	<b>Max. 1200W</b>							
<b>CCT</b>	5000K		4000K		3000K		5700K	
<b>CRI</b>	70 Ra	80 Ra	70 Ra	80 Ra	70 Ra	80 Ra	70 Ra	80 Ra
<b>Luminous Efficacy *</b>	140 lm/W	130 lm/W	135 lm/W	125 lm/W	130 lm/W	120 lm/W	135 lm/W	125 lm/W
<b>Luminous Flux *</b>	168.000 lm	156.000 lm	162.000 lm	150.000 lm	156.000 lm	144.000 lm	162.000 lm	150.000 lm
<b>LED Driving Current</b>	Max. 550 mA							
<b>Light Distribution</b>	Asymmetric Wide							
<b>BUG-Wert</b>	B4 – U0 – G5							
<b>Driver Type</b>	Integral / External							
<b>Input Voltage</b>	220 – 240 Vac / 200 – 277 Vac / 347 – 480 Vac							
<b>Input Current</b>	Max. 7.2A (@200 Vac) / Max. 4.1A (@347 Vac)							
<b>Power Factor</b>	≥0,9 at Max load							
<b>Frequency</b>	50 / 60 Hz							
<b>Surge Protection</b>	Line – Line 20kV, Line – FG 20kV							
<b>Current Type</b>	Constant Current (CC)							
<b>Product Manufacturer</b>	GigaTera Lighting Inc. / Made in Korea							
<b>Size</b>	<b>External Type</b>	620 x 543 x 275 mm						
	<b>Internal Type</b>	620 x 767 x 275 mm						
<b>Weight</b>	<b>External Type</b>	15.2 kg						
	<b>Internal Type</b>	28.2 kg						
<b>Material</b>	<b>Body</b>	Cast Aluminum						
	<b>Optic</b>	Hybrid-Optic (AL Coating Reflector and PMMA lens)						
	<b>Cover</b>	Tempered Glass 4.0T (Clear)						
<b>Wind area</b>	Front: 0.15549 m <sup>2</sup> / Side: 0.0674 m <sup>2</sup> (LED module only), 0.0987 (with BLU driver)							
<b>Aerodynamic resistance (CxS)</b>	0.19							
<b>IP rating</b>	IP 66							
<b>IK rating</b>	IK 08							
<b>Operating Temperature</b>	-30°C ~ 50°C							
<b>Option</b>	<b>Control</b>	Wireless (ZigBee) / Wired (RS-485, DMX-512, DALI) / NEMA-7						
	<b>Bracket / Visor</b>	Swivel Mount, Pole Mount / Glare Shield						
<b>Operating Lifetime</b>	> 80.000 hours (L80B10) at Ta 25°C, > 60.000 hours (L80B10) at Ta 40°C							
<b>Warranty</b>	5 Years (12 hours usage per day)							
<b>Finish</b>	Powder Coating (Gray color, RAL 7038)							* Tolerance: +/- 5%

# LED Sports & Area Flood Lighting




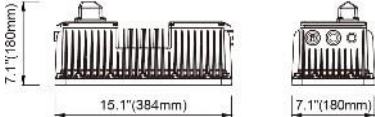
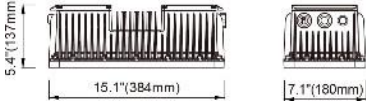
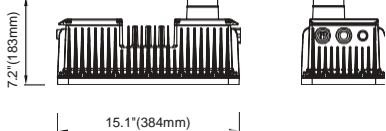
## MAHA-PLUS Series

MAH1K2

### Dimension - MAH1K2

Integral Type		External Type	
			
			
			
<b>Size</b>	620 x 767 x 275 mm	<b>Size</b>	620 x 543 x 275 mm

### BLU Driver Dimension

BLU (Wireless)		BLU (Wired)		BLU (NEMA)	
					
					
<b>Size</b>	384 x 180 x 180 mm	<b>Size</b>	384 x 180 x 137 mm	<b>Size</b>	384 x 180 x 183 mm
<b>Weight</b>	10 kg	<b>Weight</b>	10 kg	<b>Weight</b>	10 kg

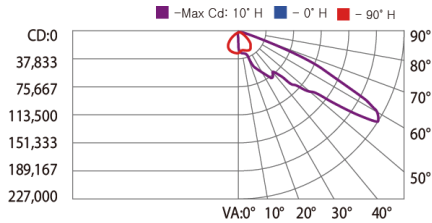
# LED Sports & Area Flood Lighting

## MAHA-PLUS Series

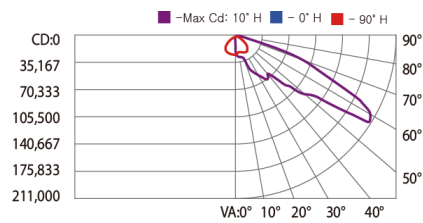
MAH1K2

### Photometric Distribution

MAH1K2 / 5000K / 70Ra



MAH1K2 / 5000K / 80Ra



### Control System (Optional)

<b>Wireless Control</b>	ZigBee		
Input Voltage	15 Vdc		
Max. Power Consumption	0,3W (@ 15 Vdc)		
Standard	2,4 GHz – IEEE 802.15.4 (Compatible), Operating Frequency 2.400MHz ~ 2.483MHz		
Network	Mesh		
RF Tx Power	Max. +8 dBm		
Data Rate	250 kbps		
Security	128 bit Encryption algorithms		
Antenna	Omni Type, 2 dBi		
<b>Wired Control</b>	RS-485	DMX-512	DALI
Input Voltage	15 Vdc		
Max. Power Consumption	0,2W (@15 Vdc)		
Communication Method	RS-485	DMX-512	Dali 1
Data Rate	115.200 bps, 8-N-1	250.000 bps, 8-N-2	1200 Baud
<b>NEMA-7</b>			
Mechanical	7 Position: 3 Power contacts + 4 Dimming / Signal contacts		
Electrical	Power contacts 15A, Max.480Vac/dc		
	Dimming control 0,10A, Max.10Vac/dc		
Model Name	TE, 2213362-4(ANSI C136.41-2013 Dimming socket)		
	te.com		

### Visor – Glare Shield (Optional)

MAH1K2

KETAOMRD01M1074	Assembly	Finished look

# LED Sports & Area Flood Lighting






## MAHA-PLUS Series

MAH1K2






### Mounting Brackets (Optional)

#### MAH1K2 (External Type)

##### KMDLMBK010060 (Optional)





	Vertical (Standard)	Vertical (Reverse)	Horizontal (Standard)	Horizontal (Reverse)
	 Upward 165° / Downward 15°	 Upward 55° / Downward 125°	 Upward 75° / Downward 105°	 Upward 145° / Downward 35°

##### KMDLMBK010230 (Optional)

	Vertical (Standard)	Vertical (Reverse)	Horizontal (Standard)	Horizontal (Umgedreht)
	 Upward 165° / Downward 15°	 Upward 55° / Downward 125°	 Upward 75° / Downward 105°	 Upward 145° / Downward 35°

##### KETBKTL1ZNN001 (Optional)

##### KMDLMBK010020 (Optional)


	KMDLMBK010060 + KETBKTL1ZNN001		KMDLMBK010060 + KMDLMBK010020	
				

#### MAH1K2 (Integral Type / Connector)

##### KETBKTL3BG1015

##### KETBKTL3BG1014 (Connector)

##### KETBKTL3BG1015 + KETBKTL3BG1014 + BLU

		KETBKTL3BG1015 + KETBKTL3BG1014		
				

# LED Sports & Area Flood Lighting

## MAHA-PLUS Series



MAH1K2

Ordering Information (MAHA-PLUS Series)				Order Code : MAH1K2-X507G1		
MAH	OOO	-	O	OO	O	OO
	Wattage		Input Voltage	CCT	CRI	Color
	1K2 = 1200W		X = DC200V	57 = 5700K 50 = 5000K 40 = 4000K	9 = 90Ra 8 = 80Ra 7 = 70Ra	G1 = Gray (Standard)

Ordering Information (Driver)				Order Code : BLU1K2-HXW		
BLU	OOO	-	O	O	O	
	Wattage		Input Voltage	Output Voltage	Control Option	
	1K2 = 1200W 1K0 = 1000W 800 = 800W		K = AC200 ~ 240V H = AC200 ~ 277V C = AC347 ~ 480V	X = DC 200V	W = Wired (RS-485) M = Wired (DMX-512) D = Wired (DALI) Z = Wireless (Zigbee) N = NEMA-7	