



Applications

Sport Stadiums
Indoor Venues
Ports

Certification

UL

Description

Tiltable and rotatable for easy aiming
Stable cooling structure that points the heat release
Boosted installation efficiency thanks to the slimmed-down product
Linkage with wired, wireless control systems

Specifications

Model Name	SFA1K2	
Power Consumption	1200W	
Light Source	High Power LED Chips	
Correlated Color Temperature	5000K (3000K / 4000K / 5700K available)	
Luminous Flux *	126,000 lm	132,000 lm
Luminous Efficacy *	105 lm/W	110 lm/W
LED Driving Current	-	-
Color Rendering Index	80 Ra	70 Ra
Light Distribution	15° / 20° / 30° / 45°	
LED Chip Manufacturer	CREE	
Input Voltage	200 ~ 277 Vac	
Input Current	Max. 7.0A (@200 Vac)	
Power Factor	≥0.9 at Max load	
Frequency	50 / 60 Hz	
Surge Protection	Line-Line 20kV, Line-FG 20kV	
Driver Type	-	
Fixture Manufacturer	KMW INC. / Made in Korea	
Size (W x L x H)	14.3 x 29.8 x 23.5 (inch)	363 x 757 x 595.5 (mm)
Weight (Driver excluded)	39.7 lb	18.0 kg
Material	Body	Cast Aluminum
	Optic	Silver Coating Reflector
	Cover	Tempered Glass 3.2T (Clear)
Finish	Powder Coating	
IP Rating	IP66	
Mounting Option	Wall Mount	
Operating Temperature	-22°F ~ 131°F	-30°C ~ 55°C
Life Time	50,000 Hours (@77°F / 25°C)	
Warranty	5 Years (12 hours usage per day)	

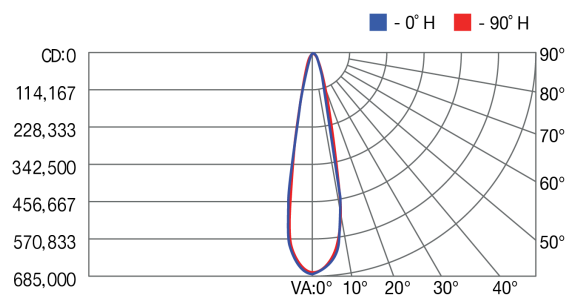
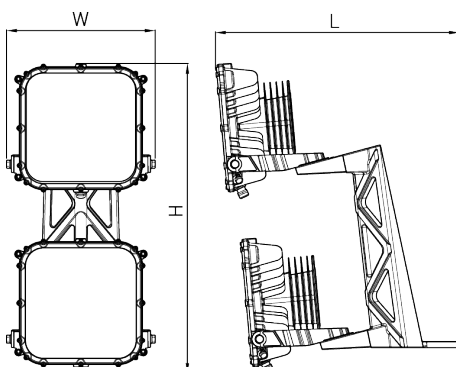
Option

Control System	Wireless (ZigBee) / Wired (RS-485)
-----------------------	------------------------------------

*Tolerance : ± 5%

Photometry

See photometric .ies files for details.



[5000K / 20°]

Control System (Optional)

ZigBee		Wireless Control
Input Voltage	15 Vdc	
Max. Power Consumption	0.3 W (@15Vdc)	
Standard	2.4 GHz - IEEE 802.15.4 (Compatible)	
Network	Mesh	
RF Tx Power	Max. +8 dBm (Typ. 5 dBm)	
Data Rate	250 kbps	
Security	128 bit AES Encryption Algorithms	
Dimmer	PWM, 0 – 10 Vdc	
Antenna	Omni Type, 2 dBi	
RS-485		Wired Control
Input Voltage	15 Vdc	
Max. Power Consumption	0.2 W (@15Vdc)	
Communication Method	RS-485	
Data Rate	38400 bps, 8-N-1	
Dimmer Level	PWM, 0 – 10 Vdc	



Power Box Specifications

Model Name	SUFA-A Power Box	
Power Consumption	1KW	
Input Voltage	200 ~ 277 Vac	
Input Current	Max. 6.0A (@200 Vac)	
Surge Protection	Line-Line 20kV, Line-FG 20kV	
Driver Manufacturer	KMW INC. / Made in Korea	
Size (W x L x H)	23.4 x 14.0 x 4.8 (inch)	594 x 355.5 x 121.5 (mm)
Weight (Driver Included)	26.5 lb	12.0 kg

Distributed by



ECOLight (A division of TransNet NZ Ltd)
78 Cryers Road
East Tamaki
Auckland

p: +64 9 272 5619
f: +64 9 274 5490
e: info@ecolight.co.nz
w: www.ecolight.co.nz

GigaTera[®] by 
beyond light

Copyright © 2015 KMW INC. All rights reserved. /
www.kmw.co.kr

The information in this document is subject to change
without notice. / Document Revision V1.81 / 2015.10.23