

Product Description

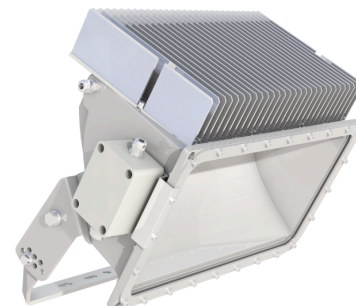
- Can send uniform light distribution even at long distance
- High luminous efficacy
- Tilting structure for optimized aiming (Upward : 10°, Downward : 20°)
- Dimming control using wireless and wired communication
- Outstanding cooling technology and durability

Application

- Sporting Facilities
- Airplane Hangars
- Airport Aprons
- Parking Lots
- Harbour
- Yard

Certification

- UL
- CE
- DLC
- FCC



[SMA600, Wired type]

SUMA Series (Built-in Driver type) Specifications

Model Name	SMA600		SMA400		
Power Consumption	600W		400W		
CCT	5000K (4000K / 3000K available)				
Luminous Flux *	75,000 lm		50,000 lm		
Luminous Efficacy *	125 lm/W				
CRI	70 Ra				
LED Driving Current	750 mA		320 mA		
Light Distribution	Asymmetric Wide				
Input Voltage	200 ~ 277 Vac / 347 ~ 480 Vac				
Input Current	Max. 3.5 A(@200Vac)		Max. 2.5 A(@200Vac)		
	Max. 2.2 A(@347Vac)		Max. 1.6 A(@347Vac)		
Power Factor	≥0.9 at Max load				
Frequency	50 / 60 Hz				
Surge Protection	Line – Line 20kV, Line – FG 20kV				
Driver Type	Constant Current (CC)				
Fixture Manufacturer	GigaTera Lighting Inc. / Made in Korea				
Size	Control Type	Wireless	NEMA-7	Wireless	NEMA-7
	mm	517 x 439 x 375	517 x 433 x 375	517 x 442 x 371	517 x 436 x 371
	inch	20.4 x 17.3 x 14.8	20.4 x 17.0 x 14.8	20.4 x 17.4 x 14.6	20.4 x 17.2 x 14.6
Weight	19.3 kg / 42.5 lb		18.6 kg / 41.0 lb		
Material	Body	Cast Aluminum			
	Optic	AL Coating Reflector			
	Cover	Tempered Glass 4.0T (Clear)			
Finish	Powder Coating				
IP Rating	IP66				
Effective Projected Area	Front (ft ² / m ²)	-		1.650 / 0.153	
	Side (ft ² / m ²)	-		0.828 / 0.077	
Operating Temperature	-30°C ~ 50°C				
Option	Control	Wireless, NEMA-7			
	Mounting	Swivel Bracket			
Warranty	5 Years (12 hours usage per day)				

* Tolerance : ± 10%

LED Flood Lighting

SUMA Series



SMA600 / SMA400

SUMA Series (Remote Driver type) Specifications

Model Name	SMA600	SMA400	
Power Consumption	600W	400W	
CCT	5000K (4000K / 3000K available)		
Luminous Flux *	75,000 lm	50,000 lm	
Luminous Efficacy *	125 lm/W		
CRI	70 Ra		
LED Driving Current	750 mA	320 mA	
Light Distribution	Asymmetric Wide		
Input Voltage	DC100V (through RED)		
Fixture Manufacturer	GigaTera Lighting Inc. / Made in Korea / Made in Vietnam		
Size	mm	517 x 429 x 375	517 x 381 x 371
	inch	20.4 x 16.9 x 14.8	20.4 x 15.0 x 14.6
Weight	13.5 kg / 29.8 lb		12.5 kg / 27.6 lb
Material	Body	Cast Aluminum	
	Optic	AL Coating Reflector	
	Cover	Tempered Glass 4.0T (Clear)	
Finish	Powder Coating		
IP Rating	IP66		
Effective Projected Area	Front (ft² / m²)	1.320 / 0.123	1.300 / 0.120
	Side (ft² / m²)	0.665 / 0.062	0.655 / 0.060
Operating Temperature	-30°C ~ 50°C		
Option	Mounting	Swivel Bracket	
Warranty	5 Years (12 hours usage per day)		

* Tolerance : ± 10%

Remote Driver Specifications

Model Name	RED1K2	RED800
Power Consumption	1,200W	800W
Compatible Model	SMA600 x 2ea	SMA400 x 2ea
Input Voltage	200 ~ 277 Vac / 347 ~ 480 Vac	
Output Voltage	DC100V	
Input Current	Max. 7.6A (@200Vac)	Max. 5.0A (@200Vac)
	Max. 4.4A (@347Vac)	Max. 2.9A (@347Vac)
Power Factor	≥0.9 at Max load	
Frequency	50 / 60 Hz	
Surge Protection	Line – Line 20kV, Line – FG 20kV	
Driver Type	Constant Current (CC)	
Fixture Manufacturer	GigaTera Lighting Inc. / Made in Korea / Made in Vietnam	
Weight	13.0 kg / 28.7 lb (Include IP Box : 20 kg / 44.1 lb)	
IP Rating	IP66 (When IP box applied)	
Operating Temperature	-30°C ~ 50°C	
Option	Control	Wired (RS-485, DMX-512)
Warranty	5 Years (12 hours usage per day)	




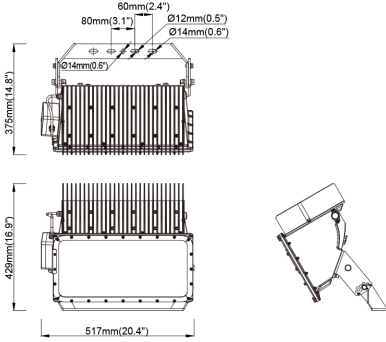
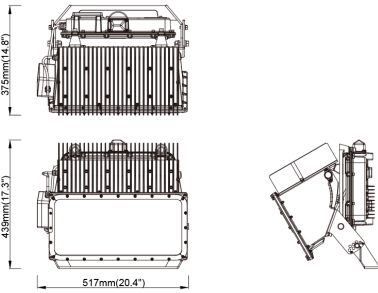
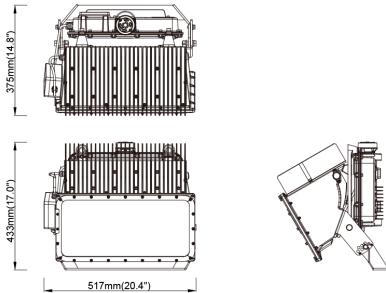
* Tolerance : ± 10%

LED Flood Lighting SUMA Series


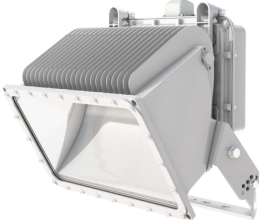
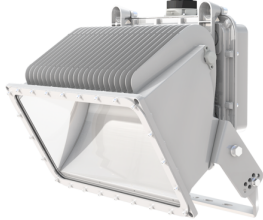
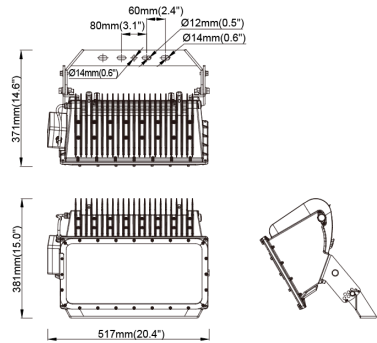
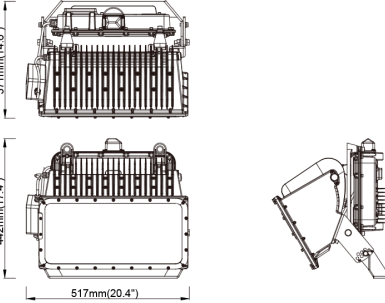
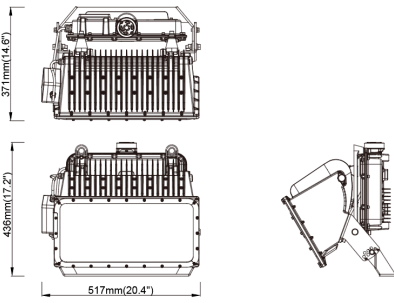


SMA600 / SMA400

SUMA 600W

Wired / Remote type		Wireless / Built-in type		NEMA-7 / Built-in type	
					
					
Size	517 x 429 x 375 (mm) 20.4 x 16.9 x 14.8 (inch)	Size	517 x 439 x 375 (mm) 20.4 x 17.3 x 14.8 (inch)	Size	517 x 433 x 375 (mm) 20.4 x 17.0 x 14.8 (inch)

SUMA 400W

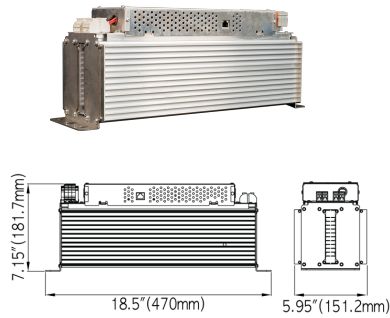
Wired / Remote type		Wireless / Built-in type		NEMA-7 / Built-in type	
					
					
Size	517 x 381 x 371 (mm) 20.4 x 15.0 x 14.6 (inch)	Size	517 x 442 x 371 (mm) 20.4 x 17.4 x 14.6 (inch)	Size	517 x 436 x 371 (mm) 20.4 x 17.2 x 14.6 (inch)

Copyright © 2021 GigaTera Lighting Inc. All rights reserved. / www.gigateraled.com
 The information in this document is subject to change without notice. / Document Revision V2.42 / 2021.03.10
 GigaTera Lighting Inc. Address : 3, Dongtansandan 6-gil, Hwaseong-si, Gyeonggi-do, South Korea
 Tel : +82.31.370.8800 / E-Mail : ledsales@gigateraled.com

SMA600 / SMA400

Remote Driver Dimension

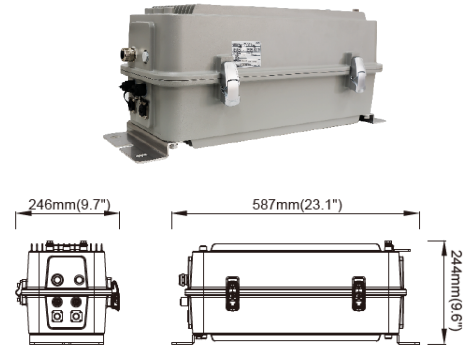
RED (Wired)



Size

470.0 x 151.2 x 181.7 (mm)
18.5 x 6.0 x 7.2 (inch)

RED IP66 BOX (Optional)

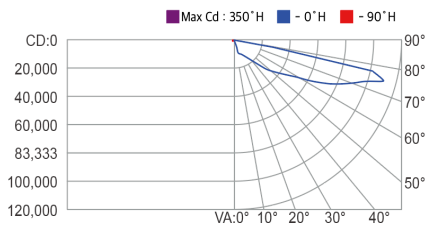


Size

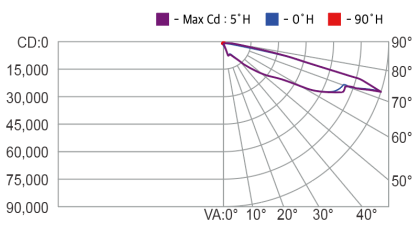
587.0 x 246.0 x 244.0 (mm)
23.1 x 9.7 x 9.6 (inch)

Photometry Data

SMA600 / 5000K



SMA400 / 5000K



Control System (Optional)

Wireless Control	ZigBee
Input Voltage	15 Vdc
Max. Power Consumption	0.3W (@15 Vdc)
Standard	2.4 GHz – IEEE 802.15.4 (Compatible)
Network	Mesh
RF Tx Power	Max. +8 dBm (Typ. 5 dBm)
Data Rate	250 kbps
Security	128 bit AES Encryption Algorithms
Antenna	Omni Type, 2 dBi
NEMA-7	
Mechanical	7 Position : 3 Power Contacts + 4 dimming/Signal Contacts
Electrical	Power Contacts. 15A, Max.480Vac/dc
	Dimming Contacts. 0.10A, Max.10Vac/dc
Model Name	TE, 2213362-4(ANSI C136.41-2013 Dimming Receptacle)
	te.com


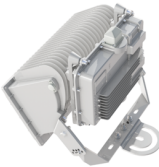

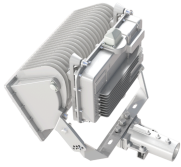
LED Flood Lighting SUMA Series



SMA600 / SMA400

Wired Control	RS-485	DMX-512
Input Voltage	15 Vdc	
Max. Power Consumption	0.2W (@15 Vdc)	
Communication Method	RS-485	DMX-512
Data Rate	115,200 bps, 8-N-1	250,000 bps, 8-N-2

Mount Bracket Installation Reference (Optional)

KETBKTLC1ZNN001		KETBKTLC3BG1012	
	Assembly Image		Assembly Image
			

Ordering Information

Ordering Code Usage : SMA400-V50WG1

SMA	000	-	O	OO	O	O
	Power Consumption		Input Voltage	CCT (K)	Control System	Fixture Color
	(Built-in Driver type) 600 = 600W 400 = 400W		H = 200 ~ 277Vac C = 347 ~ 480Vac	50 = 5000K 40 = 4000K 30 = 3000K	Z = ZigBee G = NEMA-7	G1 = Gray Powder
	(Remote Driver type) 600 = 600W 400 = 400W		V = 100Vdc		W = Wired(RS-485) M = Wired(DMX-512)	

※ For Remote Driver type

Ordering Information

Ordering Code Usage : RED1K2-HVW

RED	000	-	O	O	O
	Power Consumption		Input Voltage	Output Voltage	Control System
	1K2 = 1,200W 800 = 800W		K = 200 ~ 240Vac H = 200 ~ 277Vac C = 347 ~ 480Vac	V = 100Vdc	W = Wired(RS-485) M = Wired(DMX-512)