

LED Area Flood Lighting

WAPA Series



WP100 / WP075 / WP050

Product Description

- Ultralight and evenly distributed lighting for various spaces
- Multi-functional
- Easy replacement and installation
- Wireless

Application

- Wall Packs
- Billboards
- Roadways
- Parking Lots

Certification

- UL / FCC / DLC
- CE
- PSE
- KC / EE
- TIS



WAPA Series Specifications

Model Name	WP100	WP075	WP050
Power Consumption	100W	75W	50W
CCT	5000K (6500K / 4000K / 3500K available)		
Luminous Flux *	13,500 lm	10,125 lm	6,750 lm
Luminous Efficacy *	135 lm/W		
CRI	80 Ra		
LED Driving Current	83.3 mA	88.9 mA	83.3 mA
Light Distribution	Asymmetric Wide		
BUG Rating	B1 – U1 – G2 (Backlight – Uplight – Glare)		B1 – UX – G1
Input Voltage	100~240 Vac / 100 ~ 277 Vac		
Input Current	Max. 1.25A (@100 Vac)	Max. 1.0A (@100 Vac)	Max. 0.6A (@100 Vac)
Power Factor	≥0.9 at Max load		
Driver Type	Constant Current (CC)		
Fixture Manufacturer	GigaTera Inc.		
Size	None	552 x 262 x 140 (mm) / 21.7 x 10.3 x 5.5 (inch)	
	Node	552 x 262 x 166 (mm) / 21.7 x 10.3 x 6.5 (inch)	
Weight (Driver included)	9.3 lb / 4.2 kg		7.1 lb / 3.2 kg
Material	Body	Cast Aluminum	
	Optic	Al Coating Reflector	
	Cover	Tempered Glass 3.2T (Clear)	
Finish	Powder Coating		
IP Rating	IK Rating	IP66 / IK07	
Operating Temperature	-22°F ~ 140°F / -30°C ~ 60°C		
Option	Control	Wireless (ZigBee) / Sensor (Daylight)	
	Mounting	Wall Mount, Mount Bracket, Pole Mount	
	Surge Protection	Line – Line 20kV, Line-FG 20kV	
Operation Life Time	> 60,000 hours (L80B10) at upto Ta 40 °C		
Warranty	5 Years (12 hours usage per day)		

* Tolerance : ± 5%



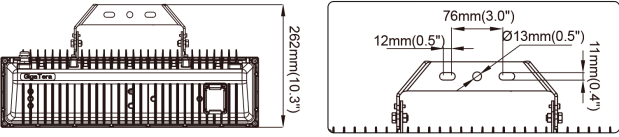
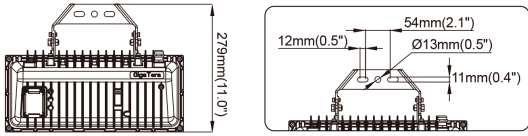
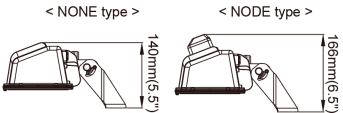
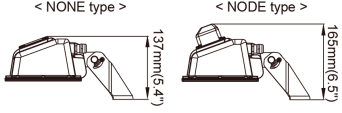
Copyright © 2017 GigaTera Inc. All rights reserved. / www.gigateraled.com
 The information in this document is subject to change without notice. / Document Revision V2.13 / 2019.02.11
 GigaTera Inc. Address : 3, Dongtansandan 6-gil, Dongtan-myeon, Hwaseong-si, Gyeonggi-do, South Korea
 Tel : +82.31.370.8800 / E-Mail : ledsales@gigateraled.com

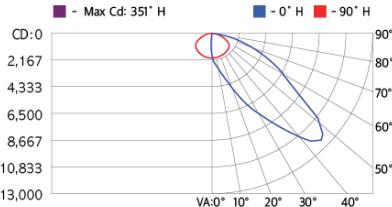
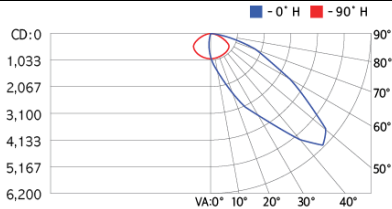
LED Area Flood Lighting

WAPA Series



WP100 / WP075 / WP050

WAPA 100W / 75W			WAPA 50W		
					
					
					
Size	None	552 x 262 x 140(mm) / 21.7 x 10.3 x 5.5(inch)	Size	None	390 x 279 x 137(mm) / 15.4 x 11.0 x 5.4(inch)
	Node	552 x 262 x 166(mm) / 21.7 x 10.3 x 6.5(inch)		Node	390 x 279 x 137(mm) / 15.4 x 11.0 x 6.5(inch)

Photometry Data	
<p>WP100 / 5000K</p> 	<p>WP075 / 5000K</p> 
<p>WP050 / 5000K</p> 	

Copyright © 2017 GigaTera Inc. All rights reserved. / www.gigateraled.com
 The information in this document is subject to change without notice. / Document Revision V2.13 / 2019.02.11
 GigaTera Inc. Address : 3, Dongtansandan 6-gil, Dongtan-myeon, Hwaseong-si, Gyeonggi-do, South Korea
 Tel : +82.31.370.8800 / E-Mail : ledsales@gigateraled.com

LED Area Flood Lighting

WAPA Series



WP100 / WP075 / WP050

Control System (Optional)

ZigBee	Wireless Control
Input Voltage	15 Vdc
Max. Power Consumption	0.3W (@15 Vdc)
Standard	2.4 GHz – IEEE 802.15.4 (Compatible)
Network	Mesh
RF Tx Power	Max. +8 dBm (Typ. 5 dBm)
Data Rate	250 kbps
Security	128 bit AES Encryption Algorithms
Antenna	Omni Type, 2 dBi

Ordering Information

Ordering Code Usage : WP050-A50WMAG1S

WP	000	-	0	00	00	00	00	0
	Power Consumption		Input Voltage	CCT (K)	Installation Type	Control System	Fixture Color	Surge Protector
	100 = 100W 070 = 70W 050 = 50W		A = 100 ~ 277V B = 100 ~ 240V	50 = 5000K 40 = 4000K 30 = 3000K	WM = Wall Mount MB = Mount Bracket PH = Pole Mount (Hor) PV = Pole Mount (Ver)	G = Daylight Sensor + ZigBee Z = ZigBee N = None	G1 = Gray Powder	S = Surge Blank = No

Copyright © 2017 GigaTera Inc. All rights reserved. / www.gigateraled.com
 The information in this document is subject to change without notice. / Document Revision V2.13 / 2019.02.11
 GigaTera Inc. Address : 3, Dongtansandan 6-gil, Dongtan-myeon, Hwaseong-si, Gyeonggi-do, South Korea
 Tel : +82.31.370.8800 / E-Mail : ledsales@gigateraled.com