

WARRIOR SPI

LED Heavy Industrial Mid Power Floodlight




Power / Performance

High lumen output up to 15,000 lumens, designed to directly replace traditional discharge light sources up to 250W SON.



Robust and Durable

Robust and durable construction from marine grade aluminium and with a wide operating temperature for even the most challenging conditions.



Easy Maintenance

Featuring a unique modular design, key components are easily accessible for straightforward maintenance and inspection.



Multiple Beam Angles

Available with a range of beam patterns to effectively light up large open areas such as service yards. The use of secondary optics means no loss of output on wider angles.

5 YEAR WARRANTY

All Raytec luminaires are provided with an industry leading 5 year warranty and have an expected useful life in excess of 10 years. See Warranty Statement for details.



Technical Specifications

Electrical	5K	7.5K	10K	12.5K	15K
Input	150-264V 50/60Hz AC/DC 110V variant available - please contact Raytec				
Power	40W	60W	80W	100W	120W
Termination	Incoming terminal block suitable for looping 4 core 4mm ² cable				
Power Factor	>0.95	>0.95	>0.95	>0.95	>0.95
Dimming Interface	DALI 2				
Cable Entries	2xM20 as standard (other entries available upon request), dispatched complete with one blanking plug				

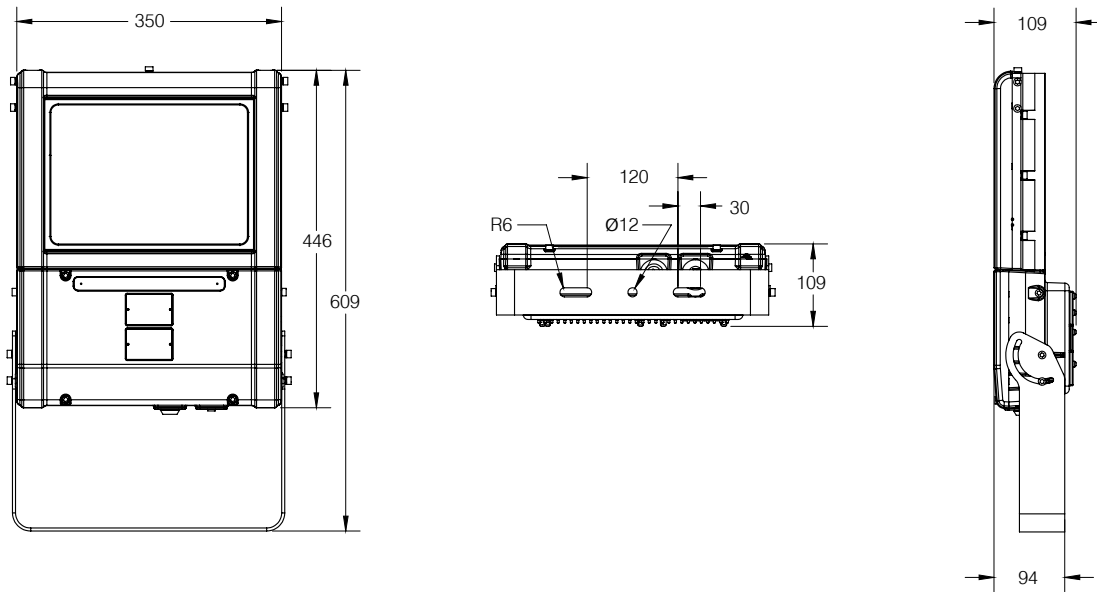
Optical	5K	7.5K	10K	12.5K	15K
Beam Patterns	30° x 30° or 60° x 60° or 90° x 90° or 120° x 15° or 10° x 10°				
Lumen Output (upto)	5,149lm	7,663lm	10,298lm	12,873lm	15,325lm
LED Type	Platinum Elite SMT LEDs	Platinum Elite SMT LEDs	Platinum Elite SMT LEDs	Platinum Elite SMT LEDs	Platinum Elite SMT LEDs
Number of LEDs	24	24	48	48	48
CRI	70+	70+	70+	70+	70+
Colour Temperature	5,700K	5,700K	5,700K	5,700K	5,700K

Mechanical	5K	7.5K	10K	12.5K	15K
Burning Position	Universal	Universal	Universal	Universal	Universal
IP Rating	IP66 & IP67	IP66 & IP67	IP66 & IP67	IP66 & IP67	IP66 & IP67
Temperature Range	-40°C to +60°C	-40°C to +60°C	-40°C to +60°C	-40°C to +60°C	-40°C to +60°C
Weight	13.2kg (29.1lbs)	13.2kg (29.1lbs)	13.2kg (29.1lbs)	13.2kg (29.1lbs)	13.2kg (29.1lbs)
Enclosure	Marine grade aluminium epoxy powder coated, toughened glass, all external fasteners and brackets are marine grade stainless steel				
Unit Colour	Silver RAL 9006				
Installation Instructions	Please see document 1250-D-00006 at www.raytecltd.com				
Dimensions	350mm x 609mm x 109mm (13.9 x 24 x 4.3")				
Mounting	Stirrup bracket (see dimension drawings on Page 3)				

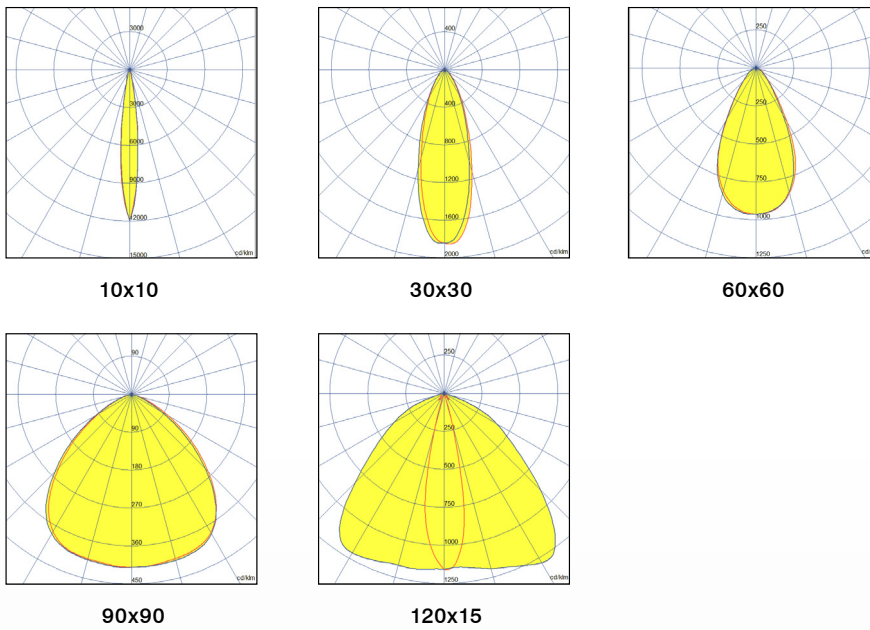
Central Battery Systems

The WARRIOR MPFL is suitable for use on a DC Central Battery System, please contact Raytec to discuss your requirements further.

Product Dimensions



Beam patterns



Part Code Builder

WARRIOR Mid Power Flood

Example - SPI-MPFL15K-W-9090

Family	Model	Light Type	Optics	CCT	Power	Entry
SPI	MPFL5K	W- White Light	3030	NOT STATED - 5700K	Not Stated - 150-264Vac	Not Stated - M20
	MPFL7K5		6060	4K - 4000K	110 - 110V-277Vac	M25
	MPFL10K		9090			
	MPFL12K5		12015			
	MPFL15K		1010			