



LED POLE TOP AMENITY LUMINAIRES

IP66 WINDAGE - 0.14m²

SPECIFICATION

- Strong high-pressure die-cast aluminium top and column mount finished full polyester powder coat silver (RAL9006)
- High-impact UV stabilised clear polycarbonate cover rated IK10
- Integral high efficiency driver
- Extremely efficient and long system life up to 100,000 hours
- Fits 76mm columns as standard (60mm to special order)
- Fitted with 6m flying lead
- Photocell option
- Fitted with 4000K LEDs

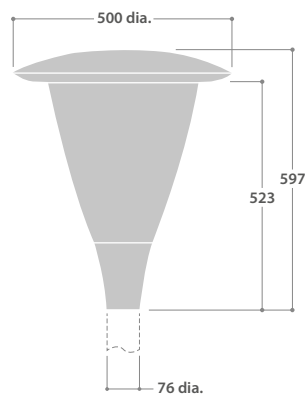
LED CHARACTERISTICS

CRI	70+
COLOUR TEMPERATURE	4000K
RATED LIFE (HOURS)	100K - L90/B10
PROTECTION	-
DRIVER EFFICIENCY	>85%
REPLACEABLE	YES
POWER FACTOR	>0.90

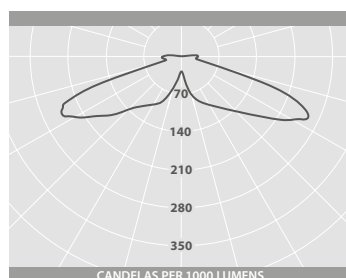
LL/CW 120.0

For LED characteristics explanation see www.thorlux.com.au/led-characteristics

DIMENSIONS



PHOTOMETRIC GUIDE



Luminaire Lumen Output:
31W = 4320lm
52W = 6825lm

RANGE

LED	CAT. No.	APPROX. kg
31W	JUN 17672L	8.0
52W	JUN 17673L	8.0

CIRCUIT TYPE - L - non-dimming (LED)

OPTIONS

DESCRIPTION	SUFFIX	EXAMPLE
Photocell	PC	JUN 17672LPC