

# STARBEAM



The Starbeam range of precision engineered LED area floodlights and streetlights takes external lighting to a new dimension in terms of efficiency (up to 148.2 luminaire lumens per circuit watt) and longevity (up to 100,000 hours). This is achieved through significant investment in high quality die-cast heat sinks and in house manufactured printed circuit boards positioning the very latest top brand LEDs within precise acrylic lenses. A range of power levels, two optical distribution types and two body sizes provides every option necessary for car park, general amenity and road lighting applications.

## CONFIGURATOR

PRODUCT CODE	WATTAGE	DISTRIBUTION	PHOTOCELL	CONTROL TYPE
<b>Small version</b>				
<b>SB</b> Starbeam	<b>031</b> 31W	<b>A2</b> Area	<b>X</b> Without photocell	<b>S</b> SmartScan
	<b>062</b> 62W	<b>R5</b> Roadway	<b>P</b> With photocell *	<b>L</b> Non-dimming
	<b>088</b> 88W			
	<b>123</b> 123W			
	<b>161</b> 161W			
<b>Large version</b>				
<b>SB</b> Starbeam	<b>197</b> 197W	<b>A2</b> Area	<b>X</b> Without photocell	<b>S</b> SmartScan
		<b>R5</b> Roadway	<b>P</b> With photocell *	<b>L</b> Non-dimming
<b>E.g. SB031A2XS</b>				
<b>SB</b> Starbeam	<b>031</b> 31W	<b>A2</b> Area	<b>X</b> Without photocell	<b>S</b> SmartScan

\* Only available with L Control Type

NOTE: - Glass version available to special order

## Zero Upward Light

Help reduce light pollution and protect the night sky by selecting zero upward light luminaires  
(SMALL VERSION ONLY, LARGE VERSION <1% UPWARD LIGHT)

## WEIGHTS

VERSION	APPROX. kg
Small	8.0
Large	9.2

### SMARTSCAN

Add 0.2kg to weight listed.

## ACCESSORIES

See page 6



## LED AREA FLOODLIGHTS AND STREET LIGHTS

IP66 IP65 SMART VERSION IK10 LED

WINDAGE - small: 0.06m<sup>2</sup> large: 0.07m<sup>2</sup>

### SPECIFICATION

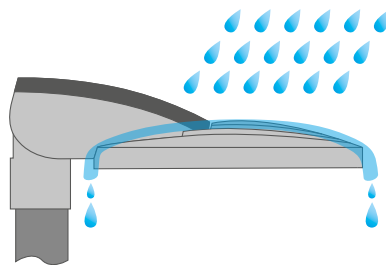
- Die-cast aluminium body and gear compartment finished polyester silver RAL9006
- Die-cast aluminium, fast release gear compartment lid finished polyester graphite
- Polycarbonate cover and acrylic high efficiency LED lenses
- Area or roadway optical distributions
- Integral high efficiency driver
- Extremely efficient and long system life up to 100,000 hours
- Suitable for ambient temperatures up to 50°C
- Smart External versions with intelligent lighting control for use up to 8 metres mounting height
- SmartScan wireless technology removes the need for control cabling. Ideal for retro-fit
- Column top 76mm as standard, adjustable through 90°
- Wall mounting bracket accessory
- Wide range of mounting options (see page 5 for details)
- Photocell option
- Fitted with 4000K LEDs

### LED CHARACTERISTICS

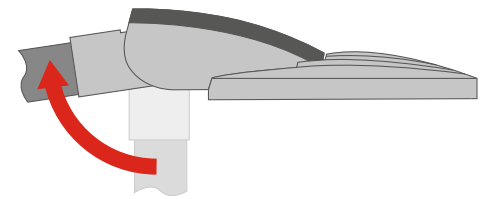
CRI	70+
COLOUR TEMPERATURE	4000K
RATED LIFE (HOURS)	100K - L90/B10
PROTECTION	LED PROTECT
DRIVER EFFICIENCY	>90%
REPLACEABLE	YES
POWER FACTOR	>0.9

LL/CW 148.2

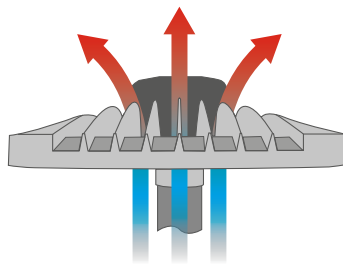
For LED characteristics explanation see [www.thorlux.com.au/led-characteristics](http://www.thorlux.com.au/led-characteristics)



1. "Free draining" curved heat sink eliminates ponding of fluids



2. Integral adjustable mounting spigot allows easy retrofit on to a wide range of columns and brackets whilst maintaining 0° elevation



3. Heat dissipation fins combined with air flow between heat sink and gear compartment extends control gear lifetime



Smart External version

### SmartScan Configurations



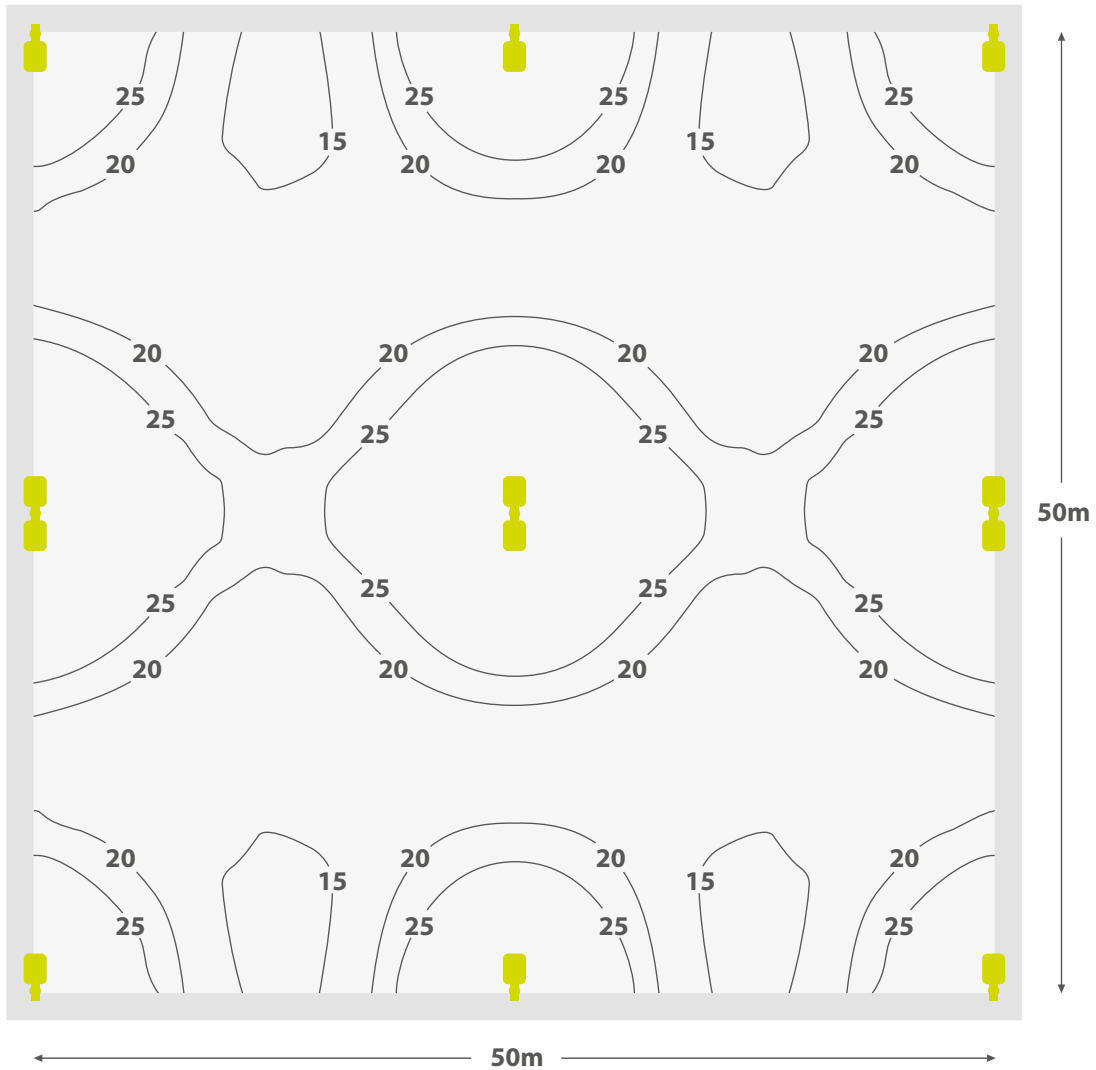
Find out more at [www.thorlux.com.au/smartsan](http://www.thorlux.com.au/smartsan)

# STARBEAM

## TYPICAL SPACING GUIDE

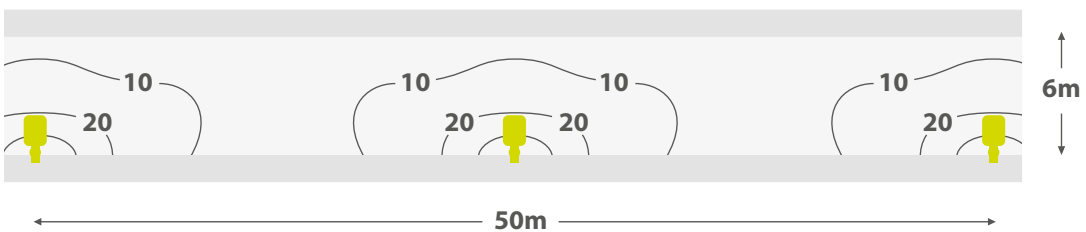
### AREA DISTRIBUTION

62W LED / 6m mounting height / 25 x 25m spacing - Average illuminance = 24 lux / Uniformity = 0.525

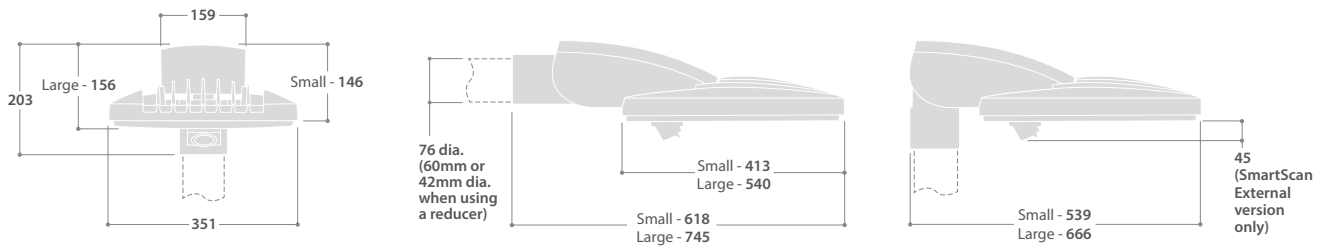


### ROADWAY DISTRIBUTION

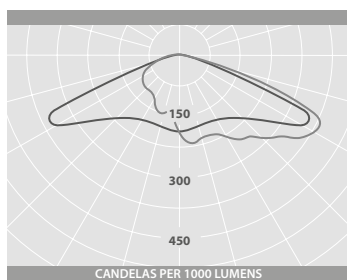
31W LED / 6m mounting height / 25m spacing - Average illuminance = 11 lux / Uniformity = 0.44



## DIMENSIONS

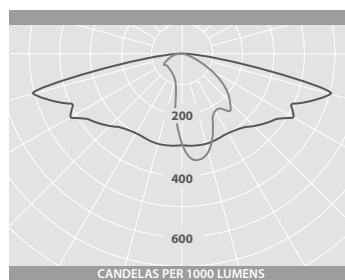


## PHOTOMETRIC GUIDE



### AREA DISTRIBUTION

Luminaire Lumen Output:  
 31W = 3225lm  
 62W = 8830lm  
 88W = 12570lm  
 123W = 17435lm  
 161W = 21860lm  
 197W = 27470lm



### ROADWAY DISTRIBUTION

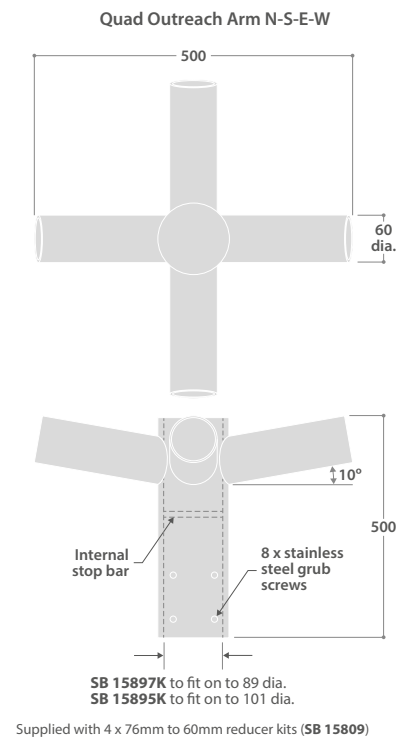
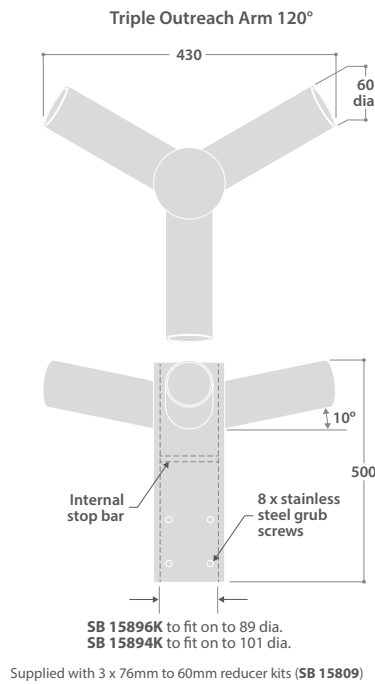
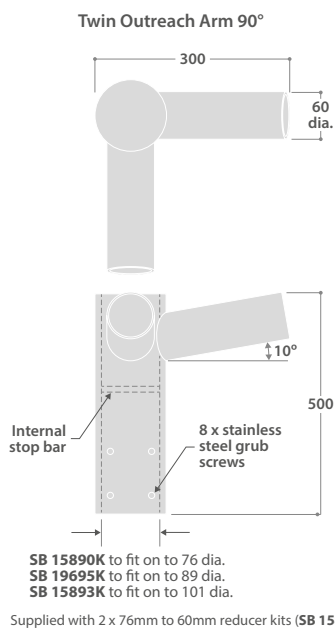
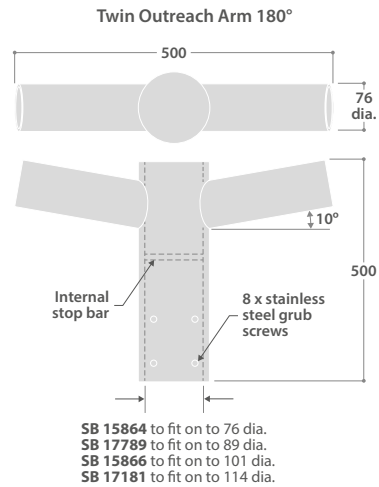
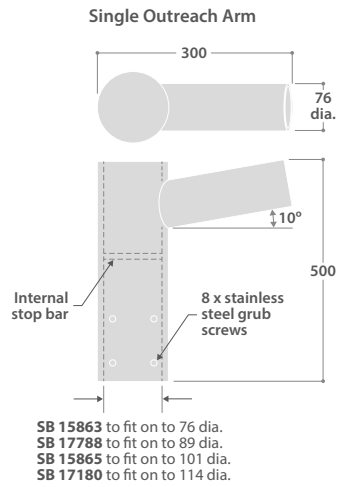
Luminaire Lumen Output:  
 31W = 3340lm  
 62W = 9640lm  
 88W = 13725lm  
 123W = 19035lm  
 161W = 23865lm  
 197W = 29995lm



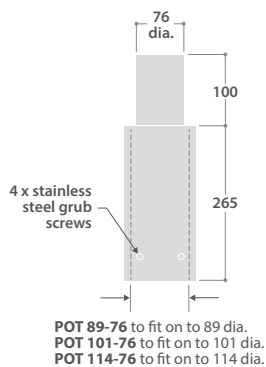
# STARBEAM



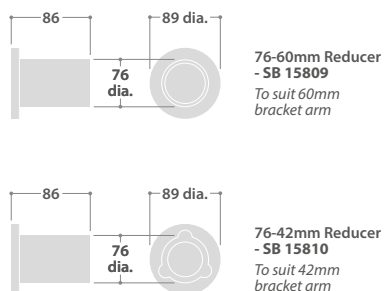
## COLUMN MOUNTING OPTIONS



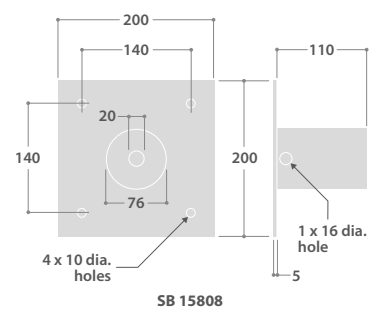
## COLUMN ADAPTORS



## BRACKET ARM REDUCERS



## WALL MOUNTING BRACKET



For further mounting and bracket options please contact our Technical Department