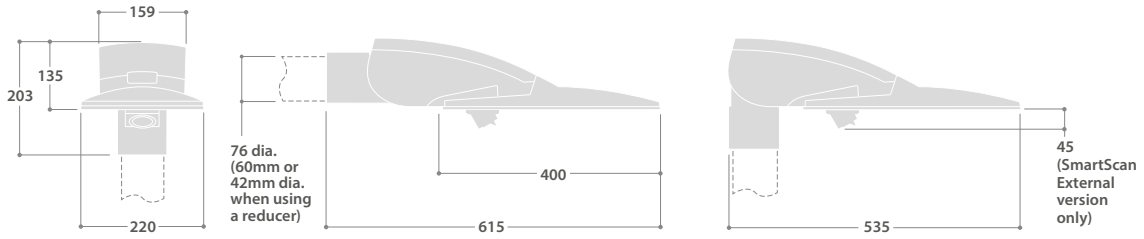
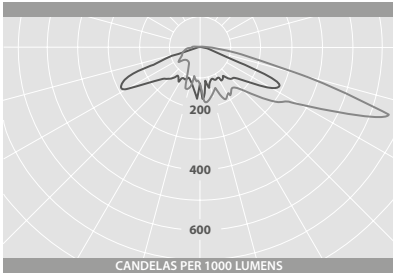


# STARBEAM ECO

## DIMENSIONS

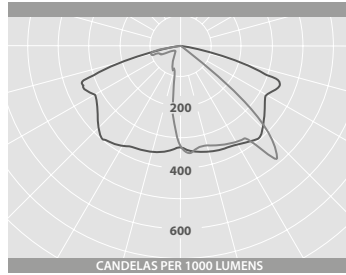


## PHOTOMETRIC GUIDE



### AREA DISTRIBUTION

Luminaire Lumen Output:  
31W = 4135lm  
48W = 6745lm



### ROADWAY DISTRIBUTION

Luminaire Lumen Output:  
31W = 4225lm  
48W = 6890lm

## OPTIONS

DESCRIPTION	SUFFIX	EXAMPLE
Photocell	PC	SB 19677LPC

**ACCESSORIES** - see page 3

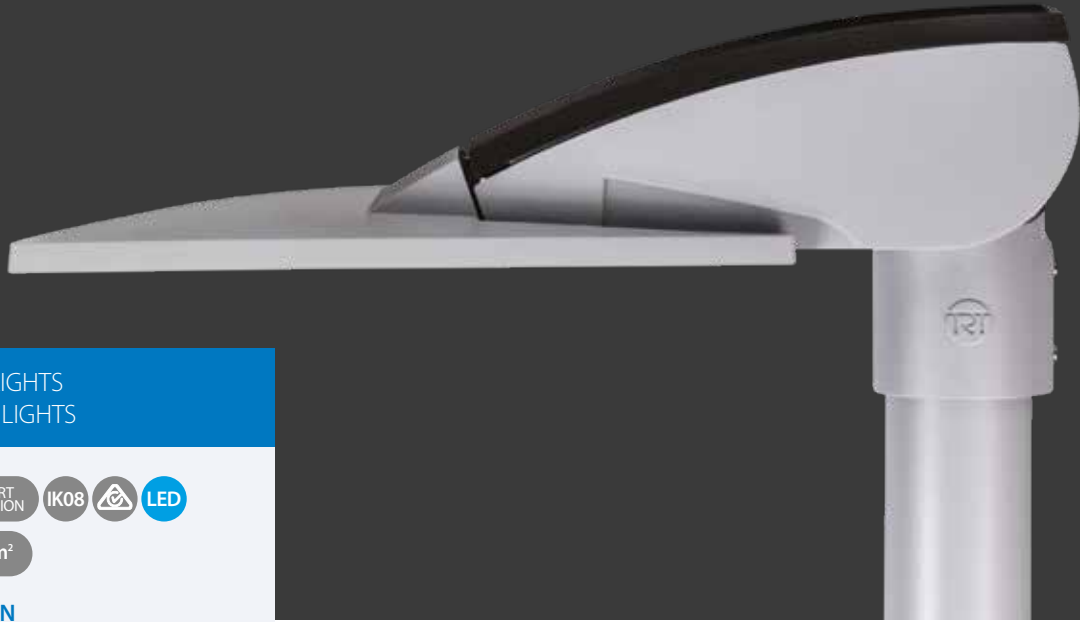
## Zero Upward Light

Help reduce light pollution and protect the night sky by selecting zero upward light luminaires





# STARBEAM ECO



## LED FLOODLIGHTS AND STREET LIGHTS

IP66 IP65 SMART VERSION IK08 LED

WINDAGE - 0.06m<sup>2</sup>

### SPECIFICATION

- Die-cast aluminium body and gear compartment finished polyester silver RAL 9006
- Die-cast aluminium, fast release gear compartment lid finished polyester graphite
- Acrylic high efficiency LED lenses
- Area or roadway optical distributions
- Integral high efficiency driver
- Extremely efficient and long system life up to 100,000 hours
- Smart External versions with intelligent lighting control for use up to 8 metres mounting height
- SmartScan wireless technology removes the need for control cabling. Ideal for retro-fit
- Column top 76mm as standard, adjustable through 90°
- Wall mounting bracket accessory
- Wide range of mounting options (see page 3 for details)
- Photocell option
- Fitted with 4000K LEDs

### LED CHARACTERISTICS

CRI	70+
COLOUR TEMPERATURE	4000K
RATED LIFE (HOURS)	100K - L90/B10
PROTECTION	LED PROTECT
DRIVER EFFICIENCY	>90%
REPLACEABLE	YES
POWER FACTOR	>0.9

LL/CW 135.1

For LED characteristics explanation see [www.thorlux.com.au/led-characteristics](http://www.thorlux.com.au/led-characteristics)

### RANGE

	LED	AREA DISTRIBUTION	ROADWAY DISTRIBUTION	APPROX. kg
SMART EXTERNAL	31W	SB 19673SS	SB 19675SS	5.0
	48W	SB 19674SS	SB 19676SS	5.2
STANDARD	31W	SB 19677L	SB 19679L	4.8
	48W	SB 19678L	SB 19680L	5.0

### CIRCUIT TYPE -

SMART EXTERNAL	SS - SmartScan
STANDARD	L - non-dimming (LED)



Smart External version

### SmartScan Configurations

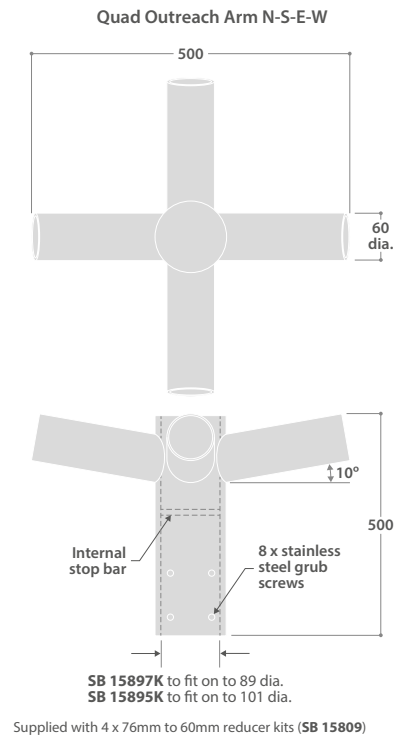
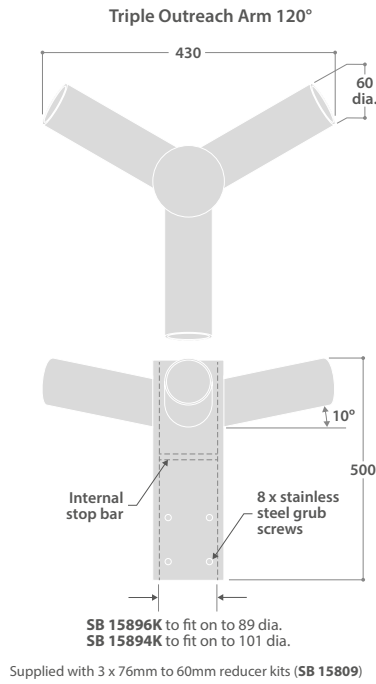
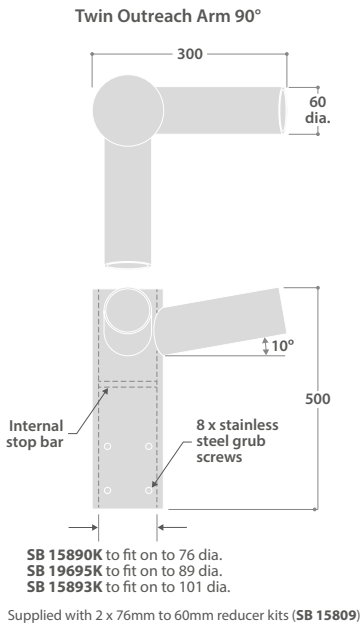
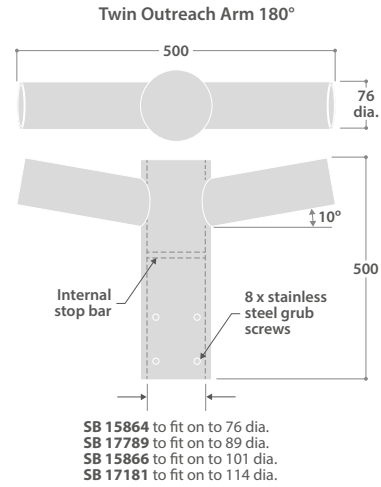
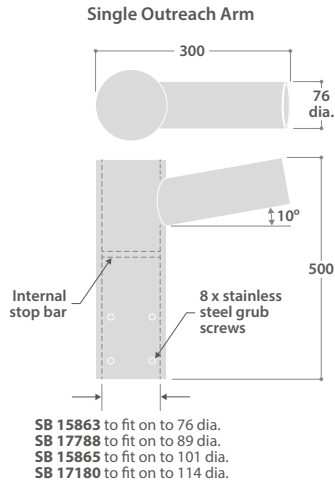


Find out more at [www.thorlux.com.au/smartsan](http://www.thorlux.com.au/smartsan)

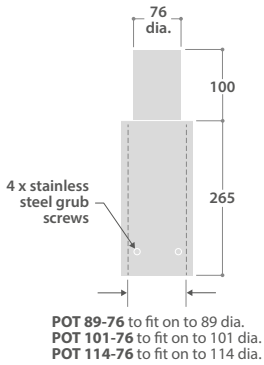
Presence Detection Guide - [www.thorlux.com.au/files/presence-detection.pdf](http://www.thorlux.com.au/files/presence-detection.pdf)

# STARBEAM ECO

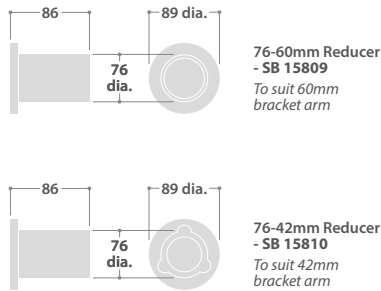
## COLUMN MOUNTING OPTIONS



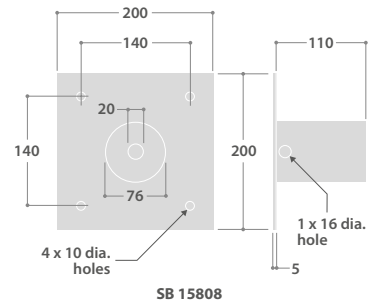
## COLUMN ADAPTORS



## BRACKET ARM REDUCERS



## WALL MOUNTING BRACKET



For further mounting and bracket options please contact our Technical Department