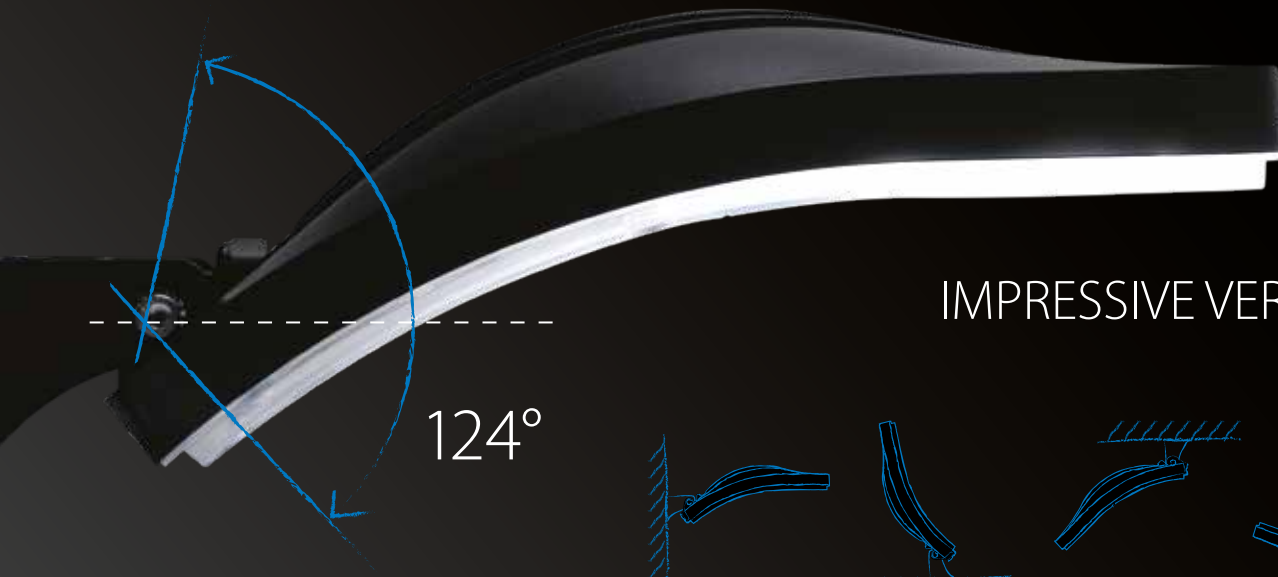
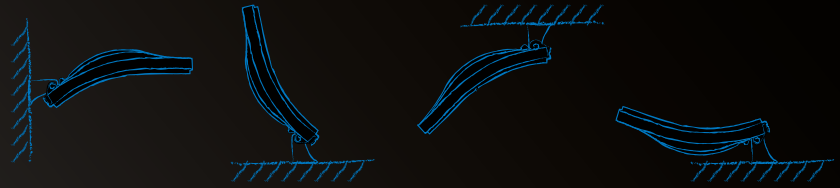


STARFLOOD

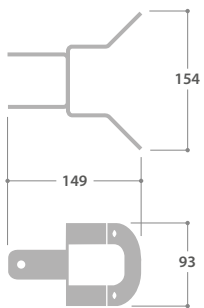


IMPRESSIVE VERSATILITY

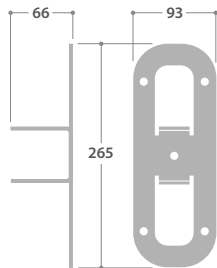


MOUNTING OPTIONS

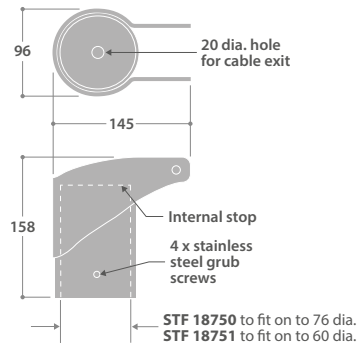
Corner mounting bracket



Wide mounting bracket

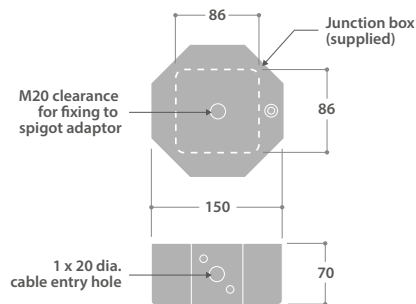


Single luminaire column top mount

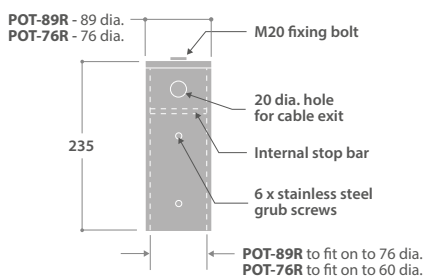


Single luminaire column top mount

Column top mounting kit



Spigot adaptor



DESCRIPTION

Single luminaire column top mount finished silver (76mm dia.)	STF 18750SV3	1.2
Single luminaire column top mount finished graphite (76mm dia.)	STF 18750G2	1.2
Single luminaire column top mount finished silver (60mm dia.)	STF 18751SV3	1.5
Single luminaire column top mount finished graphite (60mm dia.)	STF 18751G2	1.5
Column top mounting kit finished silver ■	STF 17330SV3	1.4
Column top mounting kit finished graphite ■	STF 17330G2	1.4
Galvanised spigot adaptor for 76 dia. shaft	POT-89R	2.9
Galvanised spigot adaptor for 60 dia. shaft	POT-76R	2.9
Corner mounting bracket finished graphite	STF 17329G2	0.5
Wide mounting bracket finished graphite	STF 17328G2	0.5

■ For use with spigot adaptor **POT-89R** or **POT-76R**, can accommodate up to 4 Starfloods

APPROX. kg



HIGH PERFORMANCE MINI LED FLOODLIGHTS

IP66 IK10 LED WINDAGE - 0.06m²

SPECIFICATION

- Graphite full polyester powder finish. Silver option RAL9006
- Strong die-cast LM6M aluminium body
- Highly impact resistant polycarbonate cover and acrylic high efficiency LED lenses
- Photocell option
- Smart External versions with intelligent lighting control for use up to 8 metres mounting height
- SmartScan wireless technology removes the need for control cabling. Ideal for retro-fit
- Fitted with 4000K LEDs

LED CHARACTERISTICS

CRI	70+
COLOUR TEMPERATURE	4000K
RATED LIFE (HOURS)	100K - L90/B10
PROTECTION	LED PROTECT
DRIVER EFFICIENCY	>85%
REPLACEABLE	YES
POWER FACTOR	>0.95

LL/CW **118.1**

For LED characteristics explanation see www.thorlux.com.au/led-characteristics

SmartScan Configurations



Find out more at www.thorlux.com.au/smartsan

COLOUR OPTIONS



Graphite



Silver

RANGE

	LED	CAT. No.	APPROX. kg
SMART EXTERNAL	20W	STF 17567SS	2.3
	34W	STF 17568SS	2.3
STANDARD	20W	STF 17569L	2.2
	34W	STF 17570L	2.2
	42W	STF 17571L	2.2

CIRCUIT TYPE -

- SMART EXTERNAL SS - SmartScan
- STANDARD L - non-dimming (LED)

SILVER OPTION - add suffix SV3 e.g. STF 17567SSSV3 etc.

NOTE - Smart version not suitable for uplighting applications

OPTIONS

DESCRIPTION	SUFFIX	EXAMPLE
Photocell	PC	STF 17569LPC

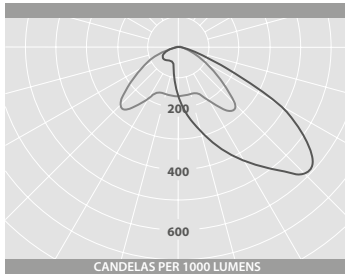
< 2% Upward Light ✓

Help reduce light pollution and protect the night sky by selecting < 2% upward light luminaires

STARFLOOD



PHOTOMETRIC GUIDE



LED

Luminaire Lumen Output:
 20W = 2835lm
 34W = 4575lm
 42W = 5400lm

PERFORMANCE GUIDE

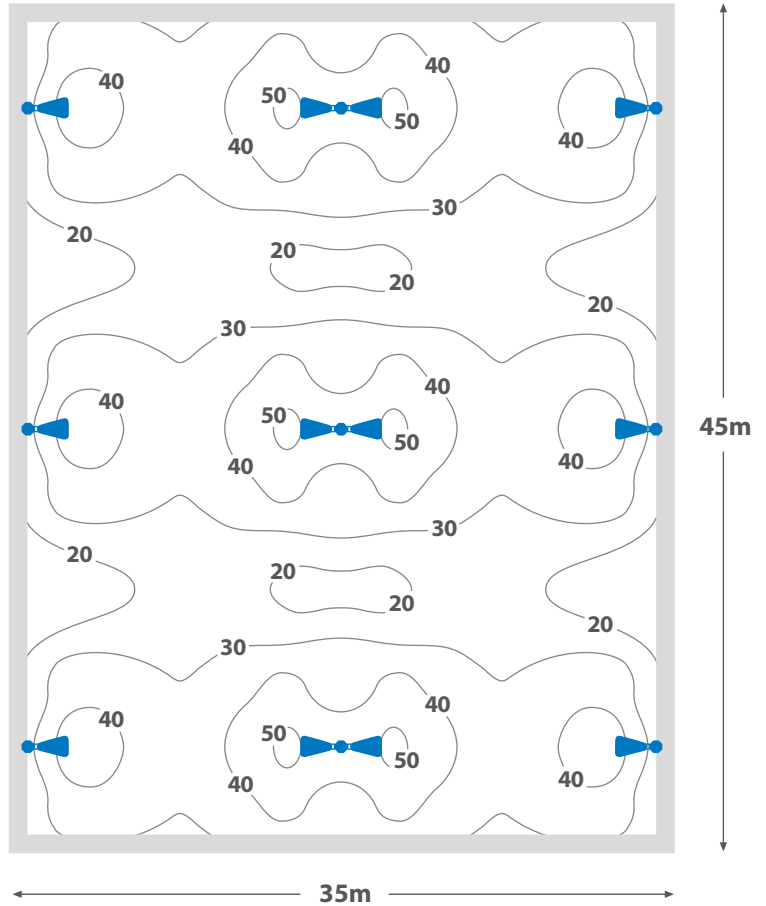
20W LED

SPACING	AVERAGE ILLUMINANCE	UNIFORMITY (min/av)
4m mounting height - 6m forward throw		
8m ctrs	40 lux	0.44
10m ctrs	30 lux	0.47
12m ctrs	23 lux	0.29
14m ctrs	17 lux	0.20
5m mounting height - 8m forward throw		
8m ctrs	24 lux	0.34
10m ctrs	19 lux	0.36
12m ctrs	16 lux	0.39
14m ctrs	14 lux	0.33
6m mounting height - 10m forward throw		
8m ctrs	20 lux	0.33
10m ctrs	16 lux	0.34
12m ctrs	13 lux	0.37
14m ctrs	11 lux	0.39

FIGURES ARE BASED ON INITIAL LUMENS

TYPICAL SPACING GUIDE

42W LED / 6m mounting height / 17.5 x 17.5m spacing -
 Average illuminance = 32 lux / Uniformity = 0.31



DIMENSIONS

