

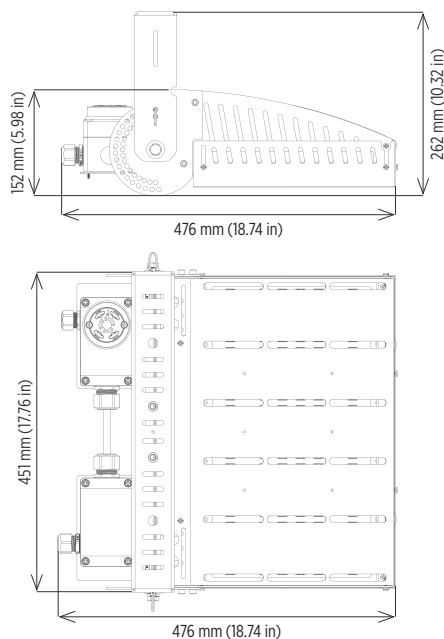


Premium fixture enhances productivity, safety and security
Designed for wet locations and to withstand the world's harshest environments
500 model delivers up to 80,000 lumens and replaces 1000W HID fixtures
250 model delivers up to 40,000 lumens and replaces 400W HID fixtures
High efficacy lighting with greater than 140 lumens per watt

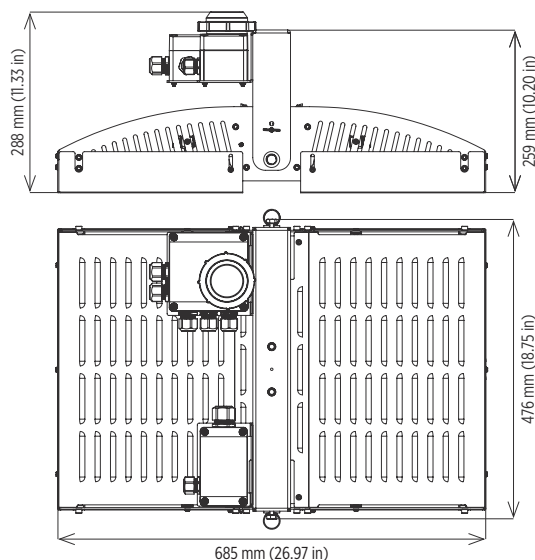
Dimensions

Note: Models shown with twist-lock receptacle option.

250 Model



500 Model



Specifications

Construction	High-strength, AL5052 aluminum Built-in, adjustable visor (optional - GG)
Finish	Weather-resistant powder coat
Hardware	Marine grade stainless steel
Light source	Premium LED modules 250 model, up to 40,000 lumens 500 model, up to 80,000 lumens CCT: Cool white (5000K), neutral white (4000K) (additional color temperatures available upon request) UV-resistant, polycarbonate lens
Lifetime	50,000 hours at up to 45°C 100,000 hours at up to 35°C
Power source	90 - 305 VAC, 50/60 Hz (120-240V) Waterproof to IP67 10kA surge protection
Power factor	> 0.9 at 277V
Ambient operating temperature	-40°C to +45°C
Mounting	Trunnion mount (standard); 5° indexed aiming Pipe mount (optional) accommodates DN 51 mm (60 mm OD)
Fixture weight	250 model - 14.1 kg (31 lb) 500 model - 17.9 kg (39.5 lb)
EPA (wind load)	250 model - 0.09 m ² (0.96 sq. ft.) 500 model - 0.11 m ² (1.21 sq. ft.)
Warranty	5 years

For IES files, see website or contact factory

Compliances

CE
SAA AS/NZS 60598.2.5
IP66 (without twist-lock receptacle)



Meridian Series

High Mast & Area LED Floodlight

Ordering Information

Example: MER-250-LT-120-277-NW-PM¹

Fixture	Model	Optic	Voltage	CCT ²	Options
MER	250	LT	120-240 ³	CW	PM
	500	LQ		NW	GG
		LR			TR ⁴
		LZ			
		LV			
		LX			

Model	Optic	Voltage	CCT ²
250 Up to 265W and 40,000 lumens	LT Narrow spot	120-240 ³ 120-240V, 50-60Hz	CW Cool white LEDs (5000K)
500 Up to 530W and 80,000 lumens	LQ Medium spot		NW Neutral white LEDs (4000K)
	LR Wide spot		
	LZ Type II		
	LV Type IV		
	LX Type V		

Options

PM	Pipe mount, accommodates DN 51 mm (60 mm OD)
GG	Glare guard
TR ⁴	Twist-lock receptacle

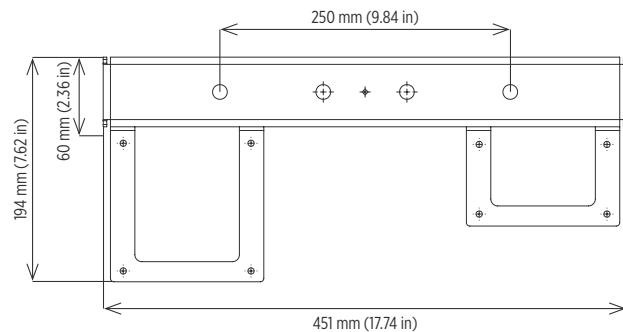
Notes

- 1 Dimmable when using LIT-WC accessory (see below)
- 2 Additional color temperatures available upon request
- 3 Additional voltages available upon request
- 4 IP63 with control node receptacle

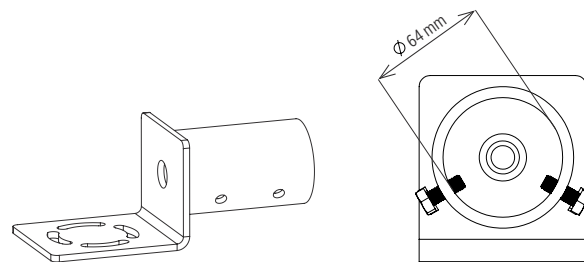
Special Projects: We may be able to accommodate your special projects, so please don't hesitate to ask about additional options. Minimum order quantities and/or extended lead times will apply. Contact your Phoenix representative with specific inquiries.

Mounting

Trunnion Mount (standard)



Pipe Mount Kit (optional)



Accessories (order separately)

Twist-lock Photocontrol

HM-PC

Twist-lock Lighting Management System Wireless Controller

LIT-WC

Product design and specifications are subject to change without notice. The most current version of this specification sheet can be found on our website: www.phoenixlighting.com.