

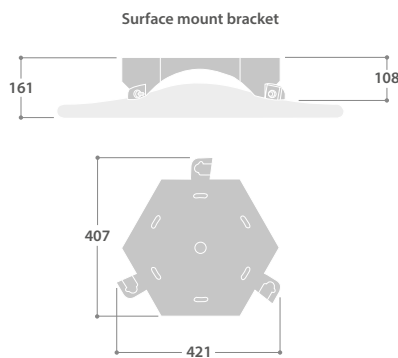
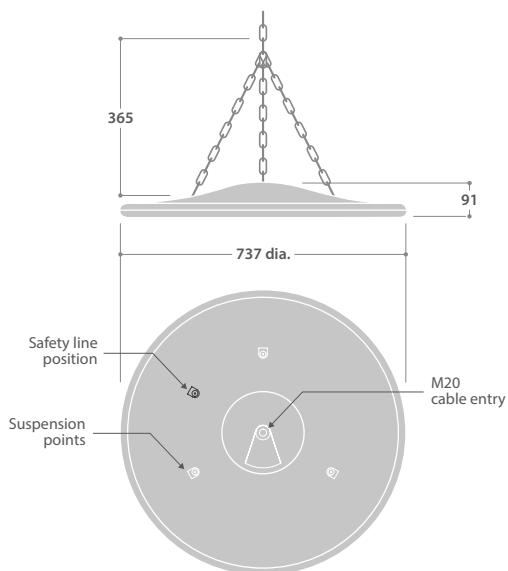


The Comboseal Plus is available in 160W and 250W power ratings with broad distribution, Smart versions suitable for mounting up to 18m.

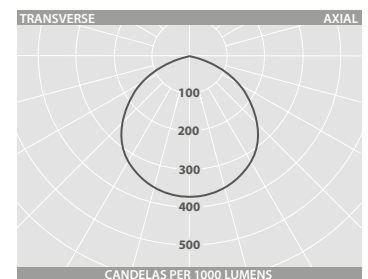
### ACCESSORIES

DESCRIPTION	CAT. No.
Surface mount bracket	CS 18574

### DIMENSIONS



### PHOTOMETRIC GUIDE



Luminaire Lumen Output:  
160W = 27580 lm  
250W = 41100 lm

### MAXIMUM AMBIENT OPERATING TEMPERATURES

LED	STANDARD/SMART	
	100,000 HOUR LIFE	70,000 HOUR LIFE
160W	45°C	50°C
250W	40°C	45°C

Minimum operating ambient temperature - Standard & Smart versions: -40°C



# COMBOSEAL PLUS



## HIGH PERFORMANCE LED HIGH BAY LUMINAIRES

IP66 IP65 SMART VERSION



### SPECIFICATION

- Strong high pressure die-cast aluminium body finished full polyester powder coat silver (RAL9006)
- Clear flat toughened/safety glass cover
- Long life silicone gaskets ensuring IP66 rating
- Smooth wipe clean surfaces, no dust traps
- Integral high efficiency drivers
- Extremely efficient and long system life up to 100,000 hours
- Supplied with single-point, stainless steel welded link chain suspension kit
- Smart versions suitable for use at mounting heights up to 18m
- Wireless SmartScan versions remove the need for control cabling. Ideal for retro-fit solutions
- Fitted with 2m flying lead
- Fitted with 4000K LEDs

### SmartScan Configurations



Find out more at [www.thorlux.com.au/smartsan](http://www.thorlux.com.au/smartsan)

### RANGE

LED	CAT. No.	CIRCUIT	APPROX. kg
160W	CS 20275	SS/D/L/A	16.0
250W	CS 20276	SS/D/L/A	16.0

CIRCUIT TYPE - suffix catalogue number with:

**SS** - SmartScan / **D** - Smart / **L** - non-dimming (LED) / **A** - dimming (DALI)  
e.g. **CS 20275SS** etc.

SmartScan and Smart add 0.2kg to weights listed.

**NOTE:** Acrylic cover version available to special order

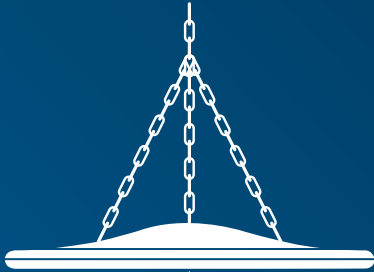
### LED CHARACTERISTICS

CRI	<b>80+</b>
COLOUR TEMPERATURE	<b>4000K</b>
RATED LIFE (HOURS)	<b>100K - L70/B10</b>
PROTECTION	<b>LUX GUARD</b>
DRIVER EFFICIENCY	<b>&gt;90%</b>
REPLACEABLE	<b>YES</b>
POWER FACTOR	<b>&gt;0.90</b>
<b>LL/CW</b>	<b>165.1</b>

For LED characteristics explanation see [www.thorlux.com.au/led-characteristics](http://www.thorlux.com.au/led-characteristics)

# COMBOSEAL PLUS

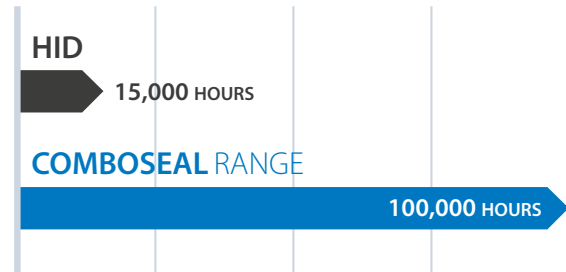
The ideal luminaire when efficiency is key



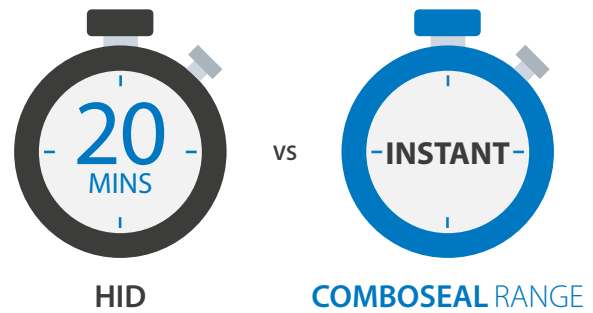
SMART  
VERSIONS  
UP TO  
18m

UP TO  
41,100  
LUMENS

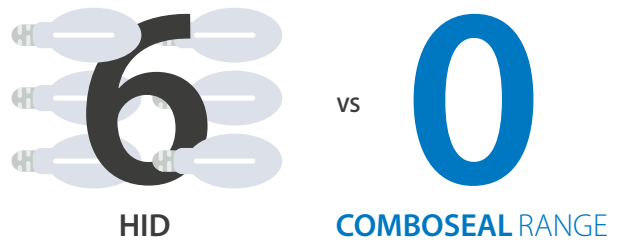
## RATED LAMP LIFE



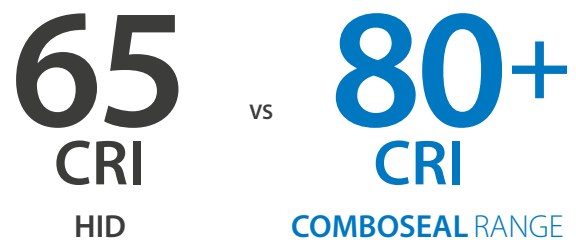
## HOT RE-STRIKE TIME



## LAMP CHANGES OVER 100,000 HOURS



## QUALITY OF LIGHT



# COMBOSEAL PLUS

Designed to perform  
in harsh environments



## PERFECTLY BALANCED

A balanced circular design allows for single point chain suspension.

## NO DUST TRAPS

Designed with smooth surfaces, the curved profile eliminates accumulation of dirt and 'ponding' of fluids.



## CHEMICALLY RESISTANT

Full polyester powder coated aluminium body with smooth, sloped back and glass cover make Comboseal Plus ideal for use in areas where corrosive chemicals are used. For further details contact the Thorlux Technical department.

## FROM -40°C to +50°C

High specification control gear coupled with thermally optimised PCBs ensure efficient function of the luminaire in ambient temperatures from -40°C to +50°C (see page 1).