

## LED Accessway Light



A highly durable walkway light that delivers up to 1300 lumens to walkways, stairways and other small areas

Superior customized optics and colored lenses

Emergency battery backup (EMB) and motion sensing options

LED technology increases efficiency, eliminates maintenance and supports green initiatives

### Key Applications

Stairways  
Tunnels  
Accessways  
Walkways & bridges  
Elevator pits  
Under catwalks  
Deck lighting  
Platforms  
Emergency backup lighting

### Compliances

ETL/cETL Listed (*standard fixture*) to:

- UL 1598A Marine Outside Type (Saltwater)

ETL/cETL Listed (*fixture with EMB option*) to:

- UL 924 (pending)

ABS (pending)  
IP66  
FCC Class 15 Part A  
DLC v5.1

### Specifications

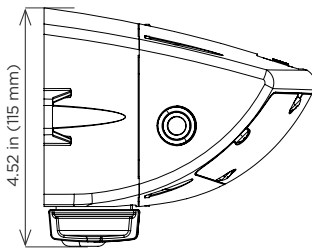
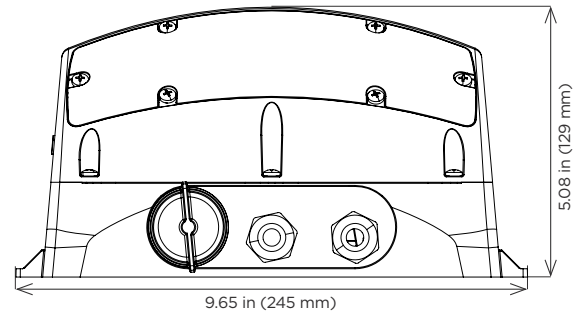
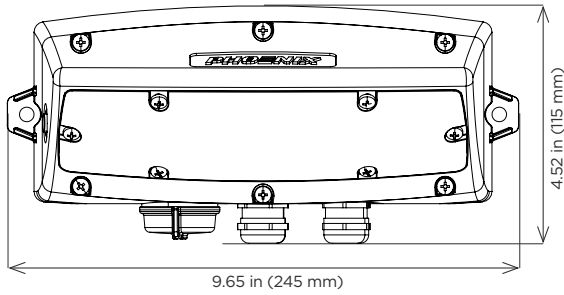
<b>Construction</b>	Marine-grade die-cast aluminum housing
<b>Finish</b>	Thermoset powder coat
<b>Hardware</b>	Marine grade (316) stainless steel
<b>Lens</b>	Clear polycarbonate, impact-resistant, UV resistant - standard Diffuse, red, green, and blue lenses - optional

### Specifications

<b>Light source</b>	3.2W - 11W (field adjustable output), up to 1300 lumens CRI ≥ 70 CCT 2700K, 4000K, 5000K
<b>Driver</b>	AC 120-277V, 50-60Hz
<b>Power factor</b>	> 0.9
<b>THD</b>	< 15%
<b>Wiring</b>	Continuous row mounting (TW) - standard 72 in (1828 mm) cord with pigtail (CD) - optional
<b>EMB</b>	Input power 120-277V, 50-60Hz Up to 15 watts (charging) EMB (standard) minimum 120 minutes run time - Approximately 500 lumens EMB6HR (optional) minimum 360 minutes run time - Approximately 200 lumens
<b>Battery</b>	6.4V, 1800 mAh, Lithium-Ion 24 hour charge time (LiFePO4)
<b>Ambient operating temperature</b>	-40°C to +50°C - standard 0°C to +50°C - EMB option
<b>Operating lifetime</b>	L70 > 50,000 hours per TM-21
<b>Surge protection</b>	Standard - 4kVA / EMB - 2kVA minimum
<b>Dimensions</b>	9.65 × 5.08 × 4.52 inch (245 × 129 × 115 mm)
<b>Fixture weight</b>	Standard - 2.9 lbs (1.3 kg) EMB - 3.5 lbs (1.6 kg)
<b>Warranty</b>	5 years

For IES files, see website or contact factory

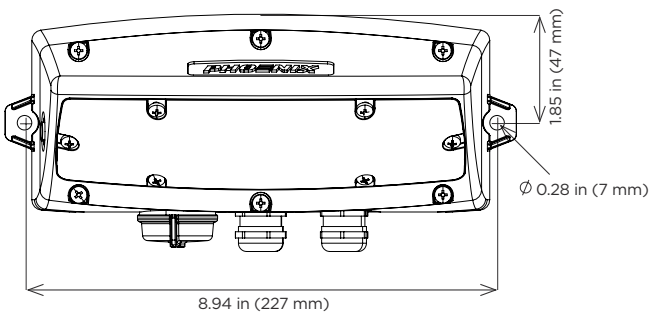
## Dimensions



## Mounting

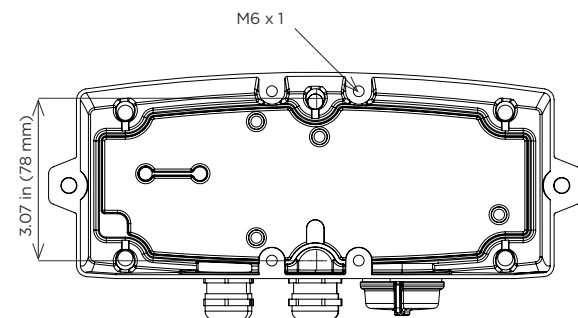
### Surface Mount

Comes standard with fixture



### Bracket Mount

Comes standard with fixture,  
4 x M6 threaded holes on  
back of fixture



## Ordering Information

**Example:** WF2-10LED-CL-50K-TW

Fixture	Wattage	Lens	CCT	Wiring	Options
WF2	10LED	CL	27K	CD	EMB
		DP	40K	TW	EMB6HR
		RD	50K		
		GR			
		BL			

Wattage/Type	Lens	CCT
10LED up to 11W, 1300 lumens	CL Clear lens	27K 2700K CCT (contact factory)
	DP Diffuse lens	40K 4000K CCT
	RD Red lens	50K 5000K CCT
	GR Green lens	
	BL Blue lens	

Options	Wiring
EMB 120 minute emergency battery backup - standard	CD 72 inch (1828 mm) cord with pigtail
EMB6HR 360 minute emergency battery backup (reduced output) - optional	TW Continuous row mounting (TW) provided on all fixtures, install threaded plug (provided) when second cord grip not required

**Special Projects:** We may be able to accommodate your special projects, so please don't hesitate to ask about additional options. Minimum order quantities and/or extended lead times will apply. Contact your Phoenix representative with specific inquiries.

## Accessories (order separately)

### Rail Mount Kit - KIT, BRKT, RAIL, MNT, WF2

available upon request

### Zhaga Book 18 Multi-function Motion and Daylighting Sensor - SNSR, ZHAGA18

available upon request

### Zhaga Book 18 Sensor Remote Programmer - SNSR RMT CNTL

available upon request

### Safety Cable

available upon request